

# SCHATTELLO

**Y**ou would like to please your guests on a hot summer's day by offering them a welcoming seat outdoors in the cool shade? Or to charm them on a nippy day or a chill night by conjuring up a cosy atmosphere with dimmed lights and comfortable heating? Then our strong but graceful SCHATTELLO is what you are looking for. Its captivating elegance and ultra-easy handling ideally complement the hospitable ambience. SCHATTELLO – more than just a sunshade!



**O**ur sunshade for outdoor catering that stands as solid as a rock.

- large-area all-weather protection
- easy handling
- extremely wind-resistant
- classic sunshade for outdoor catering

**MAY – shade systems  
made in Germany**





## Operating

SCHATTELLO, our giant sunshade, is opened and closed with a smooth-running, removable stainless steel crank or with the help of a cordless drill (hex drill fitting).

The reliable drive-system with accurate integrated bevel gears guarantees effortless handling, even after years of usage.

## High-quality framework materials

The poles of our sunshades are all made of high-quality alloyed, extruded aluminium profiles. Frame surfaces are powder-coated, highly impact-proof, and available in white RAL 9010, brown RAL 8019, or silver RAL 9006. Special colours available on request. All parts are completely maintenance-free.

- support pole Ø 76 x 3 mm
- spoke dimensions 35 x 20 x 2 mm
- support strut dimensions 30 x 20 x 2 mm

## Robust central rod system

The robust sunshade central rod system consists of two discs with support struts and spokes. In order to prevent the spokes from twisting, the lower die-cast disc is firmly welded to the support pole.

## Top plate

Elegant and graceful. Can be screwed off. With intermediate, shock-absorbing rubber pad. Colour to match framework.

## Wind tunnel tested

We were able to prove the stability and sturdiness of our sunshades during various tests in a wind tunnel. Even wind speeds of 50 km/h could not do any harm to a sunshade of Ø 5 m. However, stability can only be guaranteed if the pedestal frame is adequately weighed down for the wind conditions of the intended location.

## Canopy covering fabric

Due to a special self-tensioning telescopic spring system the awning remains perfectly taut, even after years of usage. The canopy covering can easily and quickly be exchanged by means of a practical hooking system. For fabrics and awning colours see Page 84 onward.

## Volantvarianten

- without valance
- straight valance
- Deluxe valance, cf. Page 91

## Installation options

- mobile
  - stationary
- cf. Page 70 onward

## When not in use

The protective cover provided can easily be slipped over the shade during bad weather periods.

## Mounting

- Pull parasol out of cardboard sleeve.
- Remove all packaging material.
- Place parasol mast in holding tube. That's all – ready for use in a jiffy!

## Additional equipment

- Side sheets
  - Rain gutter
  - Heaters, lighting and loud speakers
- cf. Page 74 onward



Closing function



Operating mechanism



Frame colours



Central rod system



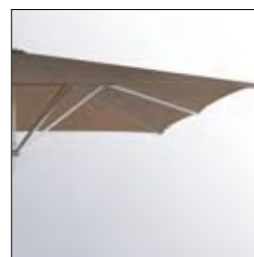
Top plate



Frame joints



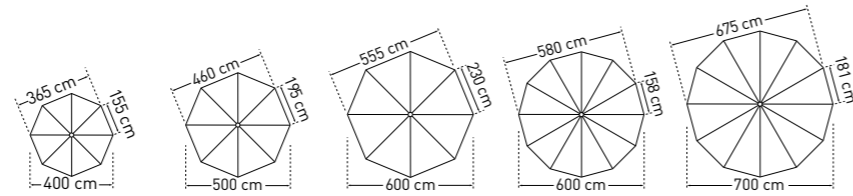
Canopy covering



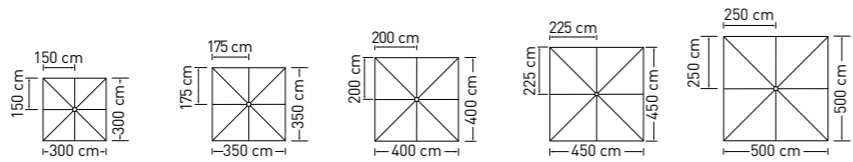
Without valance



Straight valance

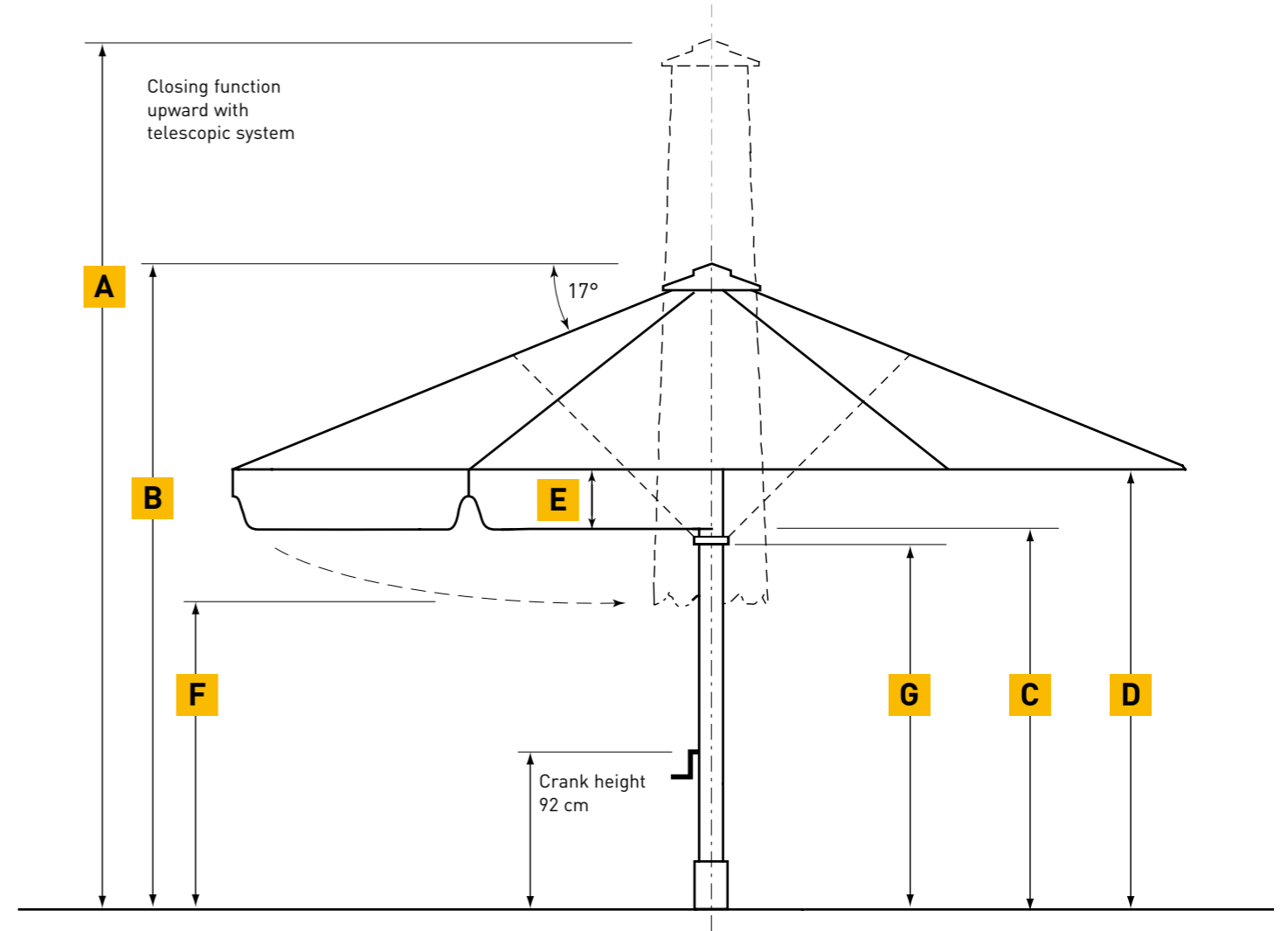


SCHATTELLO round		Ø 4.0 m	Ø 5.0 m	Ø 6.0 m	Ø 6.0 m	Ø 7.0 m	
Segments		8	8	8	12	12	
Area		m <sup>2</sup>	12	19	27	28	38
<b>A</b>	Height closed incl. top plate	cm	410	425	440	450	465
<b>B</b>	Height opened incl. top plate	cm	303	318	333	343	358
<b>C</b>	Headroom with valance	cm	205	205	200	205	205
<b>D</b>	Headroom without valance	cm	227	227	222	237	237
<b>E</b>	Height of valance	cm	28	28	28	28	28
<b>F</b>	Ground clearance from spoke edge	cm	193	158	123	132	85
<b>G</b>	Height of lower disc flange	cm	183	198	213	223	238
Weight without packaging		kg	27	38	45	52	58
Support pole diameter		mm	outer Ø 76 ( pole thickness 3 )				
Packaging: cardboard sleeve			17 kg, Ø 33 cm, length 444 cm		18 kg, Ø 35 cm, length 444 cm		

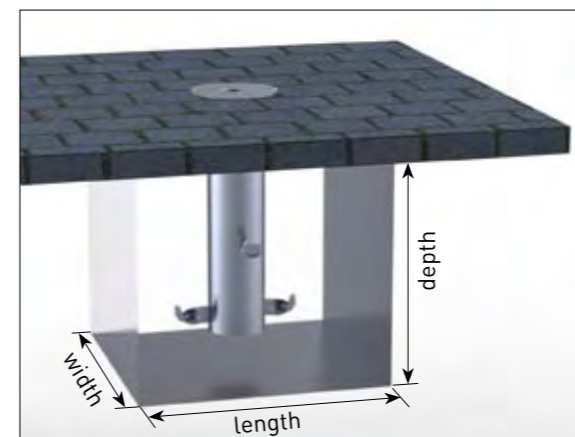


SCHATTELLO square		3.0 x 3.0 m	3.5 x 3.5 m	4.0 x 4.0 m	4.5 x 4.5 m	5.0 x 5.0 m	
Segments		8	8	8	8	8	
Area		m <sup>2</sup>	9	12.25	16	20.25	25
<b>A</b>	Height closed incl. top plate	cm	410	418	425	433	440
<b>B</b>	Height opened incl. top plate	cm	300	308	315	323	330
<b>C</b>	Headroom with valance	cm	215	215	215	215	215
<b>D</b>	Headroom without valance	cm	237	237	237	237	237
<b>E</b>	Height of valance	cm	28	28	28	28	28
<b>F</b>	Ground clearance from spoke edge	cm	180	154	119	96	62
<b>G</b>	Height of lower disc flange	cm	252	190	198	203	213
Weight without packaging		kg	25	34	43	52	58
Support pole diameter		mm	outer Ø 76 ( pole thickness 3 )				
Packaging: cardboard sleeve			17 kg, Ø 33 cm, length 444 cm		18 kg, Ø 35 cm, length 444 cm		

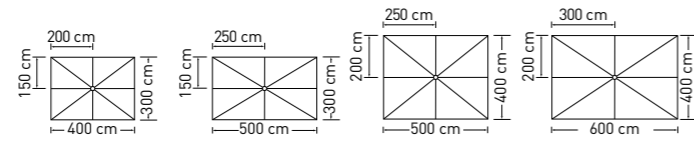
Intermediate and special sizes on request.



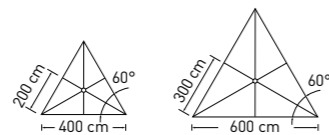
3D view of installation base with top plate for winter protection. Base must be frost-proof and enlarged if the ground is unstable.



Installation base and ballast		
Size of sunshade	Installation base width/length min. depth	Required ballast for mobile installation (incl. frame)
Ø 4 m	50/50/60 cm	1 layer of concrete slabs
Ø 5 m	50/50/60 cm	1 layer of concrete slabs
Ø 6 m	60/60/60 cm	2 layers of concrete slabs
Ø 7 m	60/60/60 cm	2 layers of concrete slabs
3 x 3 m	50/50/60 cm	1 layer of concrete slabs
3.5 x 3.5 m	50/50/60 cm	1 layer of concrete slabs
4 x 4 m	50/50/60 cm	1 layer of concrete slabs
4.5 x 4.5 m	50/50/60 cm	1 layer of concrete slabs
5 x 5 m	60/60/60 cm	2 layers of concrete slabs



SCHATTELLO rectangular		3,0 x 4,0 m	3,0 x 5,0 m	4,0 x 5,0 m	4,0 x 6,0 m	
Segments		8	8	8	8	
Area	m <sup>2</sup>	12	15	20	24	
<b>A</b>	Height closed incl. top plate	cm	402	402	425	430
<b>B</b>	Height opened incl. top plate	cm	295	295	318	323
<b>C</b>	Headroom with valance	cm	215	215	215	215
<b>D</b>	Headroom without valance	cm	237	237	237	237
<b>E</b>	Height of valance	cm	28	28	28	28
<b>F</b>	Ground clearance from spoke edge	cm	130	95	82	52
<b>G</b>	Height of lower disc flange	cm	245	245	198	203
Weight without packaging	kg	28	32	36	40	
Support pole diameter	mm	outer Ø 76 ( pole thickness 3 )				
Packaging: cardboard sleeve		17 kg, Ø 33 cm, length 444 cm				



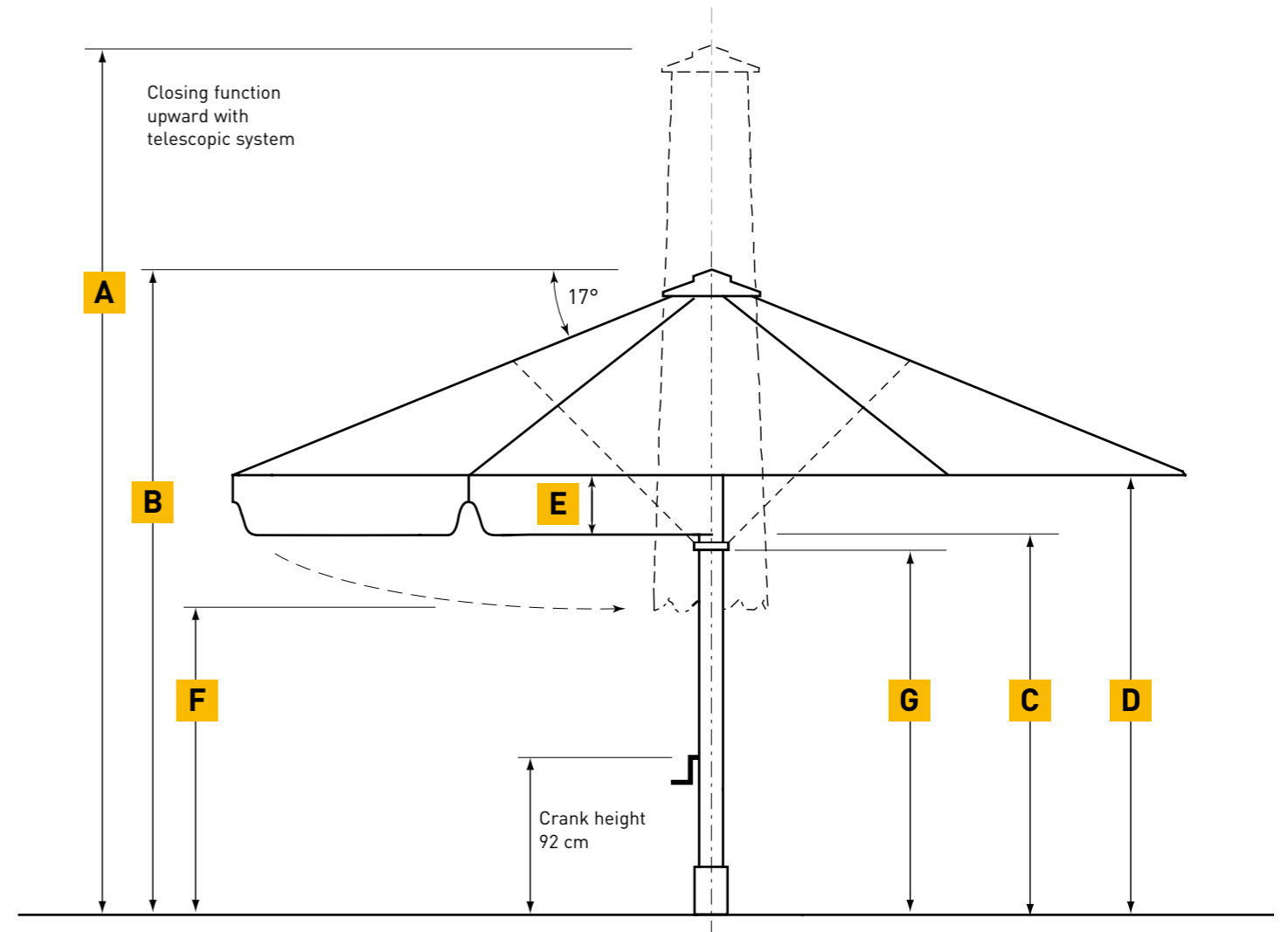
SCHATTELLO triangular		4 x 4 x 4 m	6 x 6 x 6 m	
Segments		6	6	
Area	m <sup>2</sup>	6,9	15,6	
<b>A</b>	Height closed incl. top plate	cm	391	402
<b>B</b>	Height opened incl. top plate	cm	284	295
<b>C</b>	Headroom with valance	cm	215	215
<b>D</b>	Headroom without valance	cm	237	237
<b>E</b>	Height of valance	cm	28	28
<b>F</b>	Ground clearance from spoke edge	cm	153	51
<b>G</b>	Height of lower disc flange	cm	234	183
Weight without packaging	kg	27	40	
Support pole diameter	mm	outer Ø 76 ( pole thickness 3 )		
Packaging: cardboard sleeve		17 kg, Ø 33 cm, length 444 cm		

The heights specified are for sunshades with Leacril covering fabric that are mounted in an anchor tube (SZ118, SZ121, SZ150). The increase in height for sunshades with other installation bases can be seen in the list below:

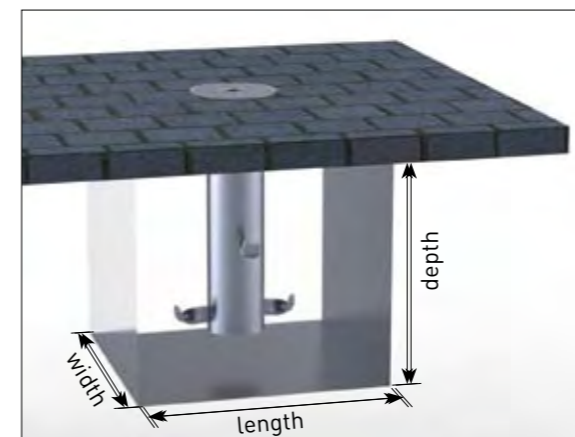
Full frame pedestal: SZ111 + 9 cm  
 Full frame pedestal: SZ112 + 12 cm  
 Full frame pedestal: SZ114 + 16 cm

Full frame pedestal: SZ201 + 14 cm  
 Full frame pedestal: SZ203 + 17 cm  
 Full frame pedestal: SZ205 + 21 cm

Anchor plate with hinge: SZ131 + 1.5 cm  
 Anchor plate: SZ123 + 5 cm



3D view of installation base with top plate for winter protection. Base must be frost-proof and enlarged if the ground is unstable.



Installation base and ballast		
Size of sunshade	Installation base width/length min. depth	Required ballast for mobile installation (incl. frame)
Ø 4 m	50/50/60 cm	1 layer of concrete slabs
Ø 5 m	50/50/60 cm	1 layer of concrete slabs
Ø 6 m	60/60/60 cm	2 layers of concrete slabs
Ø 7 m	60/60/60 cm	2 layers of concrete slabs
3 x 3 m	50/50/60 cm	1 layer of concrete slabs
3.5 x 3.5 m	50/50/60 cm	1 layer of concrete slabs
4 x 4 m	50/50/60 cm	1 layer of concrete slabs
4.5 x 4.5 m	50/50/60 cm	1 layer of concrete slabs
5 x 5 m	60/60/60 cm	2 layers of concrete slabs

Intermediate and special sizes on request.



**SCHATTELLO Accessories and Bases**

**Additional protective sleeve,**  
in Airtex. Please state sunshade size.

Order No. **SA130**



SA130

**Additional protective sleeve with  
telescopic system and zipper,**  
in Airtex, length of telescope: 4.5 m.  
Please state sunshade size.

Order No. **SA132**

**Protective sleeve for sunshades with integrated  
heaters, with telescopic system and zipper,**  
in Airtex, length of telescope: 4.5 m.  
Please state sunshade size.

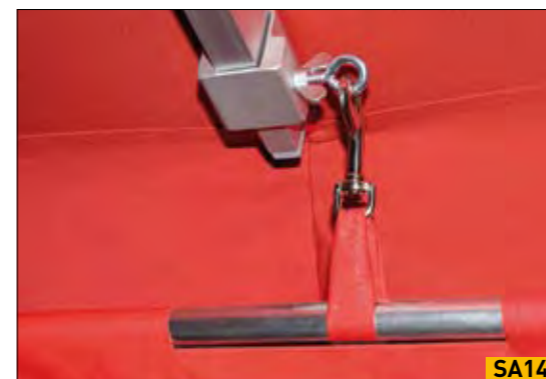
Order No. **SA134**



SA132 / SA134



XA141



SA140



Side sheets

**SCHATTELLO Accessories and Bases**

**Rain gutter**  
in Airtex, with aluminium rods for stabilization.  
Can only be used with "straight valance".

Order No. **XA141**

**Holder for side sheets and rain gutter**  
1 piece per spoke required.

Order No. **SA140**

**Heaters and lighting**  
cf. Page 72 onward.

**Length extension of centre pole**  
State required additional length in cm (max. 50 cm).

**Special frame paint finish**  
Please state colour of powder-coating in RAL.

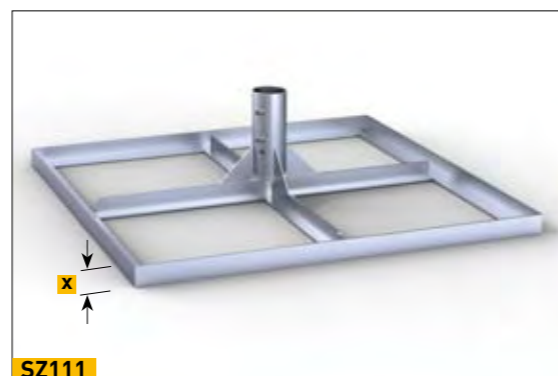
**Canopy covering PVC-Era**  
approx. 380g/m<sup>2</sup>.

**Side sheets**  
Textile in Airtex,  
cf. Page 82 onward.

**Full frame pedestals**  
for 1 set of concrete slabs

**Full frame pedestal** without slabs,  
for 1 set of standard concrete slabs,  
50 x 50 x 5 cm, galvanized, 103 x 103 cm,  
weight approx. 27 kg,  
height of frame x= 5 cm, total height 29 cm.

Order No. **SZ111**



**Full frame pedestal with**  
**4 diagonal support levelling screws,**

without slabs, for 1 set of concrete slabs, galvanized,  
103 x 103 cm, weight approx. 28 kg,  
total height min. 32 cm, max. 36 cm.

Order No. **SZ112**



**Full frame pedestal on wheels,**

with heavy-duty rollers and fixing brakes,  
without slabs, for 1 set of concrete slabs,  
galvanized, 103 x 103 cm, weight approx. 28 kg,  
total height 36 cm, diameter of rollers 5 cm.  
Attention: wind sensitive!

Order No. **SZ114**

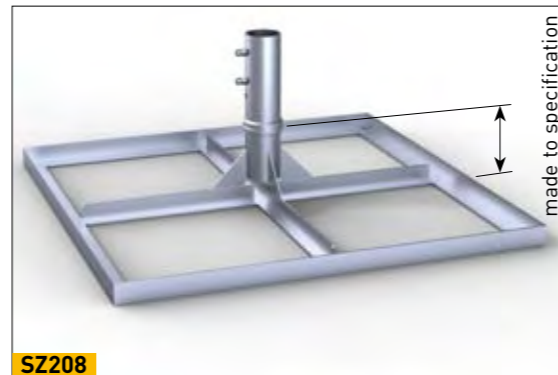


**Customized pedestals**  
(not available on stock)

**Full frame pedestal with upper tube of SZ118**

customized height to fit patio surface,  
for 1 set of standard concrete slabs,  
50 x 50 x 5 cm, galvanized, 103 x 103 cm.

Order No. **SZ208**



**Full frame pedestal with upper tube of SZ118**

same as SZ208, but lockable.

Order No. **SZ209**

**Full frame pedestal with placement hinge**  
**and upper tube of SZ150.**

customized height to fit patio surface,  
for 1 set of standard concrete slabs,  
50 x 50 x 5 cm, galvanized, 103 x 103 cm.

Order No. **SZ210**



**Full frame pedestal with upper tube of SZ118**

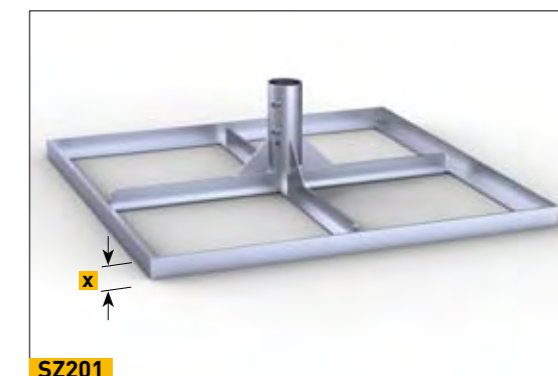
same as SZ210, but lockable.

Order No. **SZ211**

**Full frame pedestals**  
for 2 sets of concrete slabs

**Full frame pedestal** without slabs for 2 sets of concrete  
slabs, galvanized, 103 x 103 cm, weight approx. 28 kg,  
height of frame x= 5 cm, total height 34 cm.

Order No. **SZ201**



**Full frame pedestal with 4 diagonal support levelling**  
**screws,** without slabs, for 2 sets of concrete slabs,  
galvanized, 103 x 103 cm, weight approx. 29 kg,  
total height min. 37 cm, max. 41 cm.

Order No. **SZ203**



**Full frame pedestal on wheels,**

with heavy-duty rollers and fixing brakes,  
without slabs, for 2 sets of concrete slabs,  
galvanized, 103 x 103 cm, weight approx. 29 kg,  
total height 41 cm, diameter of rollers 5 cm.  
Attention: wind sensitive!

Order No. **SZ205**



**Theft pin**

padlock and pin.

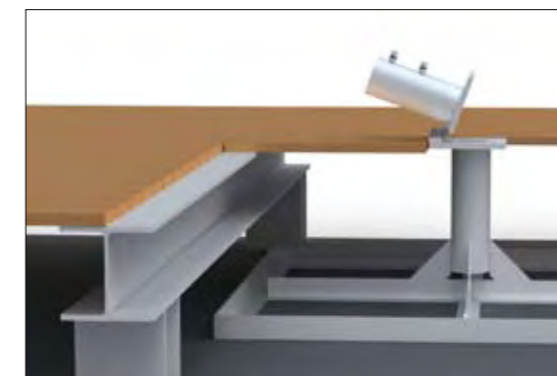
Order No. **200103**



**Concrete slabs**

1 set = 4 slabs, each 50 x 50 x 5 cm,  
weight per slab: approx. 28 kg.

Order No. **XZ50**



Installation of SZ210 in patio area.



**Anchor tube to be embedded in concrete,**  
2 pieces, screw-off upper part, for 8-segment shade,  
galvanized, (also available in stainless steel)  
weight 7 kg incl. top plate for winter protection,  
a = 22 cm, b = 29 cm, x = Ø 10 cm, y = 16 cm.

Order No. **SZ118**

**Anchor tube to be embedded in concrete,**  
same as SZ118, but lockable,  
with theft pin 200103.

Order No. **SZ119**

**Anchor tube to be embedded in concrete,**  
2 pieces, screw-off upper part, for 12-segment shade,  
a = 22 cm, b = 29 cm, x = Ø 17 cm, y = 16 cm.

Order No. **SZ121**

**Anchor tube to be embedded in concrete,**  
same as SZ121, but lockable,  
with theft pin 200103.

Order No. **SZ122**

**Anchor tube to be embedded in concrete,**  
**with placement hinge**  
screw-off upper part, galvanized, weight 11 kg  
incl. top plate for winter protection.  
a = 23 cm, b = 28 cm, x = 16 cm, y = 17.5 cm, z = 15 cm.  
Bore for power cable through centre post Ø 7 cm.

Order No. **SZ150**

**Anchor tube to be embedded in concrete,**  
with placement hinge,  
same as SZ150, but lockable, with theft pin 200103.

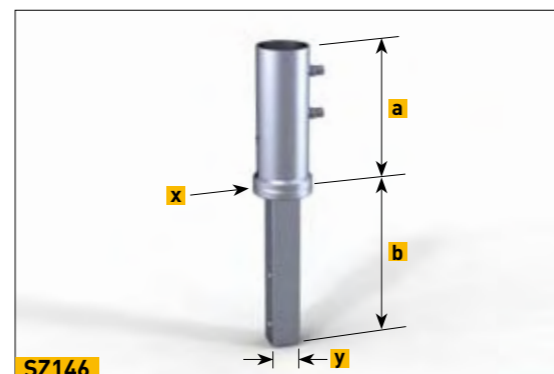
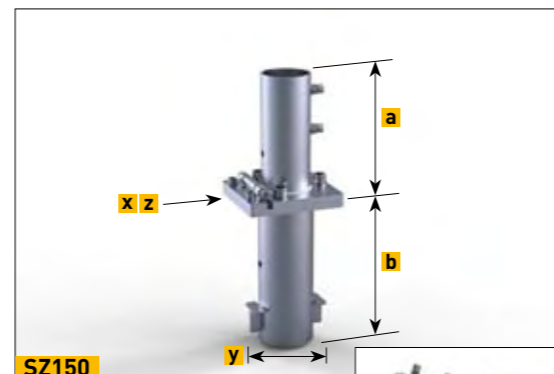
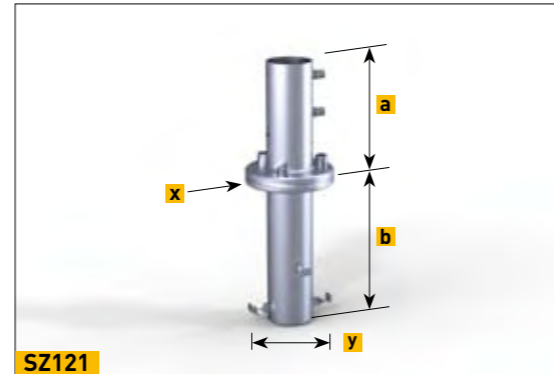
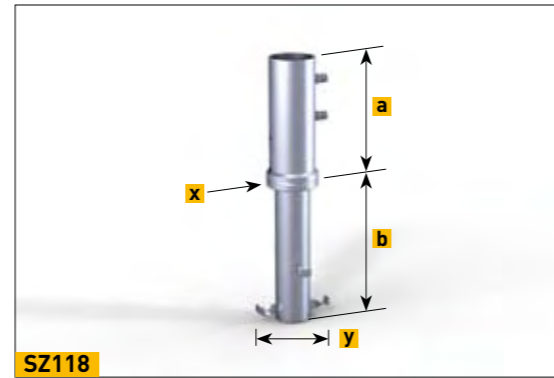
Order No. **SZ151**

**Anchor tube to be embedded in concrete**  
in pre-drilled bore-hole, 2 pieces, screw-off upper part,  
incl. top plate for winter protection,  
a = 22 cm, b = 29 cm, x = Ø 10 cm, y = 5 x 5 cm.

Order No. **SZ146**

**Anchor tube to be embedded in concrete**  
same as SZ146, but lockable,  
with theft pin 200103.

Order No. **SZ147**



**Dowel-anchored plate**  
galvanized, 50 x 50 x 1.2 cm, weight 23 kg,  
a = 25 cm, x = 50 x 50 cm, t = 1.2 cm, z = Ø 1.8 cm.  
Order No. **SZ123**

**Dowel-anchored plate**  
same as SZ123, but lockable, with theft pin.  
Order No. **SZ124**

**Dowel-anchored plate, with placement hinge,**  
galvanized, 28 x 26 x 1.2 cm, weight 11.2 kg,  
a = 23 cm, x = 26 cm, y = 27.5 cm, t = 1.2 cm, z = Ø 1.8 cm.  
Order No. **SZ131**

**Dowel-anchored plate, with placement hinge,**  
same as SZ131, but lockable, with theft pin.  
Order No. **SZ132**

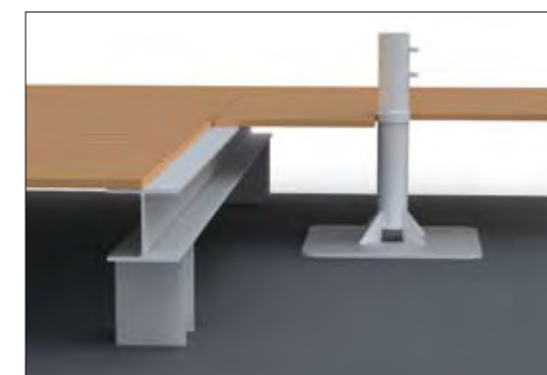
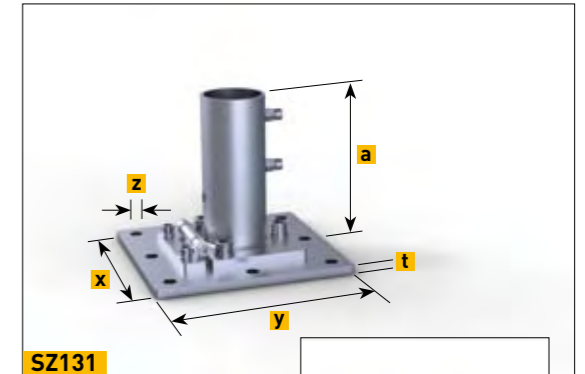
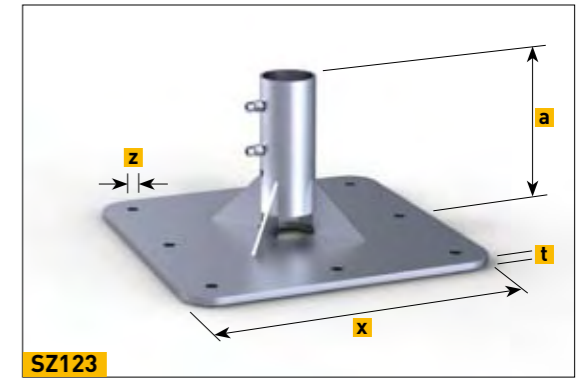
**Customized installation bases  
(not available on stock)**

**Dowel-anchored plate  
with placement hinge and upper tube of SZ150**  
customized height to fit patio surface,  
galvanized, anchor plate 50 x 50 cm.  
Order No. **SZ127**

**Dowel-anchored plate  
with placement hinge and upper tube of SZ150,**  
same as SZ127, but lockable, with theft pin.  
Order No. **SZ128**

**Dowel-anchored plate upper tube of SZ118**  
customized height to fit patio surface,  
galvanized, anchor plate 50 x 50 cm.  
Order No. **SZ129**

**Dowel-anchored plate upper tube of SZ118,**  
same as SZ129, but lockable, with theft pin.  
Order No. **SZ130**



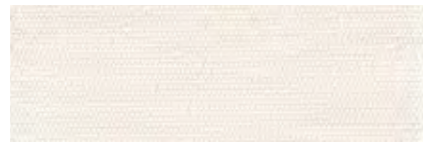
Installation of SZ129  
in patio area.

## LEACRIL with Texgard impregnation

- 100% branded acrylic fibre, spun-dyed, weight approx. 300 g/m<sup>2</sup>
- high water tightness and water pressure resistance - 37 hPa (water column 370 mm)
- weather-proof, high and low temperature resistant
- rot-resistant
- effective protection against oil, grease, mildew and algae, industrial pollution, exhaust fumes and other negative environmental factors
- extremely high light and colour fastness
- tested acc. to Öko-Tex standard 100 as well as UV standard 801
- suitable for screen-printing



SA 314 010 white



SA 314 018 white/grey knopped



SA 314 008 ochre



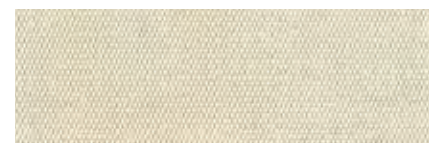
SA 314 033 ivory



SA 314 580 white/yellow knopped



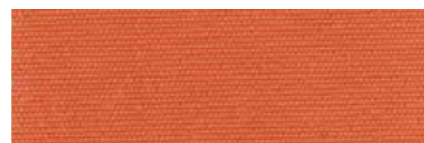
SA 314 014 mandarin



SA 314 325 ecru



SA 314 583 yellow/grey/yellow knopped



SA 314 019 terracotta



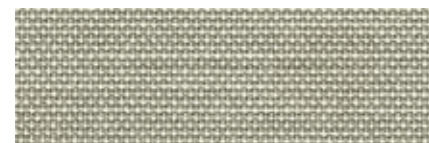
SA 314 044 grey/white



SA 314 045 pyrite



SA 314 002 orange



SA 314 364 telegrey/white



DA 7560 light yellow



SA 314 001 cherry



SA 314 471 silver-grey/dark brown knopped



SA 314 003 yellow



SA 314 347 ruby



SA 314 344 multi-colour



SA 314 038 beige



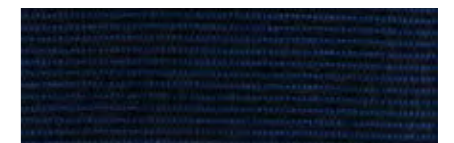
SA 314 022 rust



SA 314 763 bordeaux



SA 314 011 royal blue



SA 314 271 navy blue/black



SA 314 362 dark green



SA 314 006 sapphire



SA 314 154 black



SA 314 257 green/black



SA 314 414 navy blue

## VALMEX-AIRTEX classic

- 100% Polyester (PES) one side acrylic-coated
- dirt and water repellent thanks to Teflon finish
- high water penetration and pressure resistance
- 70 hPa (water column 700 mm)
- good light and weather fastness (UV resistance)
- high tear and tensile strength
- light weight of approx. 200 g/m<sup>2</sup>
- UV801-tested



9577 white



9526 maize



9793 blue



9823 ivory



9527 orange



9545 navy blue



9875 cream



9671 red



9710 dark green



9816 sand



9878 terracotta



9653 grey



9879 bordeaux



9853 black

## PVC

- 100% high-tenacity Polyester fabric (PES)
- both-sided PVC antifungal finish
- 100% waterproof
- high UV resistance and weatherability due to special surface sealing (top finish)
- resistant against high and low temperatures
- long-lasting elegance in shape and brilliance in colour
- scratch-resistant, easy-care, distortion-free
- easy to keep clean, both when fitted on the parasol or detached
- protection against UV rays
- colour fastness

We also supply parasols with flame-retardant fabrics for indoor areas (DIN 4102 B1) on request.