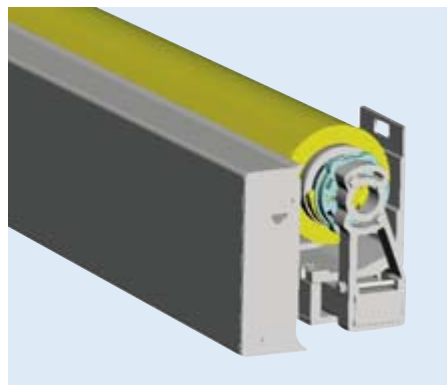
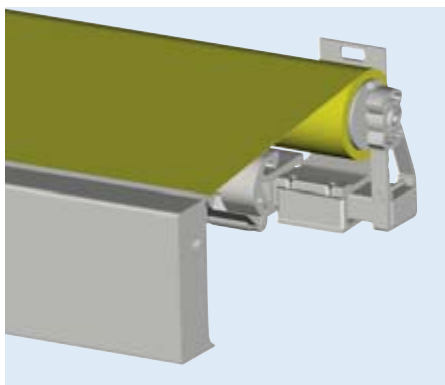


Luxury sun protection especially for niche installation



Optimum awnings
N 2000

We reserve the right to make technical alterations. December 2006





N 2000, retracted

Front rail protects fabric and mechanism

Sometimes the design of the building does not give you any option. The awning can only be fitted into a niche. Or, the awning has to be as inconspicuous as possible on the wall and a niche was included in the design of the house for later installation of an awning.

With the **N 2000**, makes this possible. Most of the awning's mechanism is protected, hidden inside the brickwork. When the front rail is retracted it sits inconspicuously flush with the wall, protecting the fabric and the mechanism from wind and weather.

Technical details

Max. size of N 2000

- 600 cm wide x 350 cm max. projection (single section unit)



Technical equipment

- Gutter incorporated into the front rail with controlled drainage
- Enforced closure of the front rail by the stop cam
- Fabric fixing ensures the fabric remains taut

Powder coating

- In 47 standard colours
- Surface permanently resistant to scratching and weather

Pattern

- Large selection of fabrics from the current weinor collections

Folding arm

- Tilting arm member with wind lock safety device and round steel linking chain
- Drop forged arm parts

Drive

- Motor as standard

Options

Attachment

- Extruded wall bracket especially for niche installation, powder coated in the same colour as the awning

Options

- Removable valance
- Remote control
- Sun and rain monitors
- Automatic rain sensor

The technical product highlights of the N 2000 niche awning



N 2000

Especially for niche installation

The N 2000 is designed especially for niche installation, whereby the masonry replaces the top, back and side sections



Open-link chain in the arm joint

The tilting arm member with chain

The open-link chain in the arm joint is made of special high-grade round steel and constantly undergoes continuous testing. Even after many thousand movements no appreciable wear and tear can be detected. For this reason, we offer a 10-year guarantee on the open-link chain in the centre joint of the awning arm.



Tilting part with wind lock safety device

The angle adjustment mechanism

The pitch can be only adjusted through the tilting arm members. The cassette itself stays firmly locked in place.

The gutter

It takes the residual water which can collect if the awning is retracted when wet.

The arm geometry

Ensures that the awning retracts and opens smoothly and prevents the fabric from resting on the tilting arm members.

The front rail with stop cam

The stop cam in the front rail ensures that the awning retracts correctly, thereby providing maximum protection for the fabric when retracted.

The front rail holder with movable bearing

The front rail holder with movable bearing adds more leeway, for example in the case of one-sided loads or the angle adjustment mechanism.



Front rail holder with movable bearing

The wind lock safety device

The patented wind lock safety device prevents the awning from being uplifted by surging winds, even if the awning has only been opened by a third.

| Description | Patent no |
|---------------------------|-------------|
| Tipping hinge for Awnings | 00000620334 |

The technical product highlights of the N 2000 niche awning

Simple to fit

The N 2000 is relatively simple to fit, even in a niche. The niche wall bracket was designed especially for niche mounting. Here, the securing screws are accessible from above.

The open jaw of the wall bracket makes it easy to push the carrier bar in while, at the same time, clamping it more firmly in place.

The wall brackets have pre-punched holes as standard, making it easier to mark the positions of the brackets.



Jaw-shaped opening in the wall bracket with access to the securing screws from above.

Product benefits at a glance

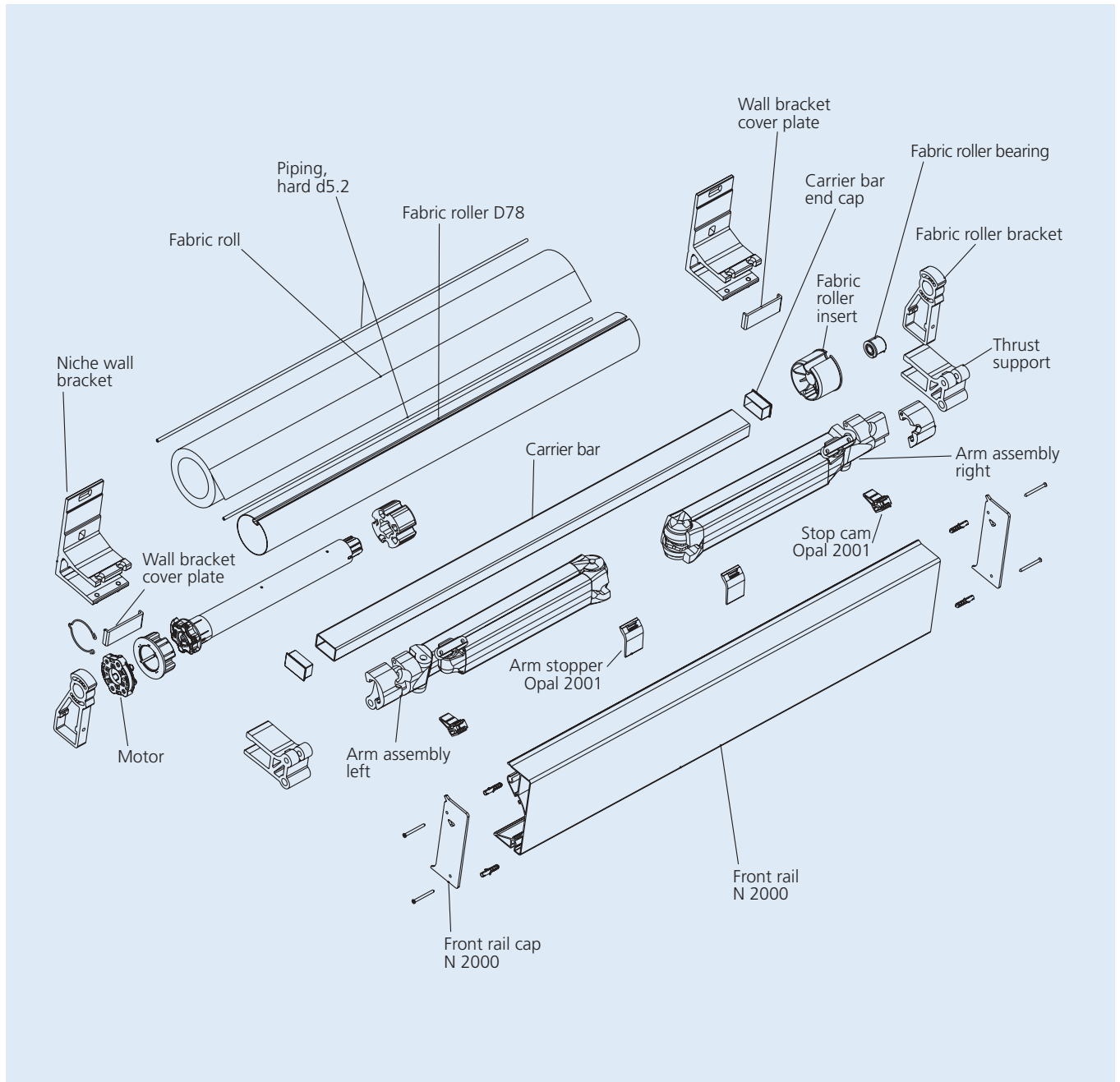
| Designation | Material | Surface treatment | Qualities | Your advantages |
|---|--|---|---|--|
| Tilting part Upper arm insert Centre joint Lower arm insert with front rail holder | Aluminium, drop-forged | Chrome-free pre-treated, powder coated | Highly resistant to breakage, surface permanently resistant to scratching and weather | The weinor tilting arm member is a masterpiece of modern awning technology. The advantages: special arm geometry and thus the fabric does not rest on it. Stability and durability thanks to the high-grade materials. |
| Rotating parts in the arm | Stainless steel bolts with Teflon-coated sleeves on bearings | | Maintenance-free, rust-free, reliable | High-grade components mean permanent free movement when opening and retracting. |
| Arm section Front rail | Aluminium, extruded | Chrome-free pre-treated, powder coated | Surface permanently resistant to scratching and weather | You choose the powder coating colour for your awning sections to suit your personal taste. |
| Open-link chain in the arm | Round steel, special high grade | | Extremely high resistance to wear and tear | Virtually non-wearing in continuous testing – therefore 10-year guarantee on the open-link chain in the centre arm joint. |
| Wind lock safety device | Aluminium slider, extruded | | Maintenance-free, rust-free, reliable | Innovative technology from weinor reliably prevents the awning from being uplifted and banged down by surging winds. |
| Fabric roller bearing | Aluminium, extruded | Machine-edged, chrome-free pre-treated and powder coated | Surface permanently scratch and weather resistant | Sophisticated quality, precise and weather resistant down to the very last detail. |
| Rectangular support pipe 50 x 30 mm | Steel | Galvalume coated, chrome-free pre-treated and powder coated | High torsional strength, surface permanently weather-resistant | Quality, stability and weather resistance that you can depend on permanently. |
| Screws | Stainless steel | | Non-corrosive | No rust, no appreciable wear and tear |
| Awnings material | Acrylic | | Spin-jet dyed, impregnated | The weinor fabric collection offers a wide variety of sophisticated designs. |
| Drive motor | | | Precision, sturdy construction | The awning is opened and retracted by an electric tubular motor which is integrated into the fabric roller and which can be operated, for example, by a wall switch. |

We reserve the right to make technical alterations. December 2006

Product options at a glance

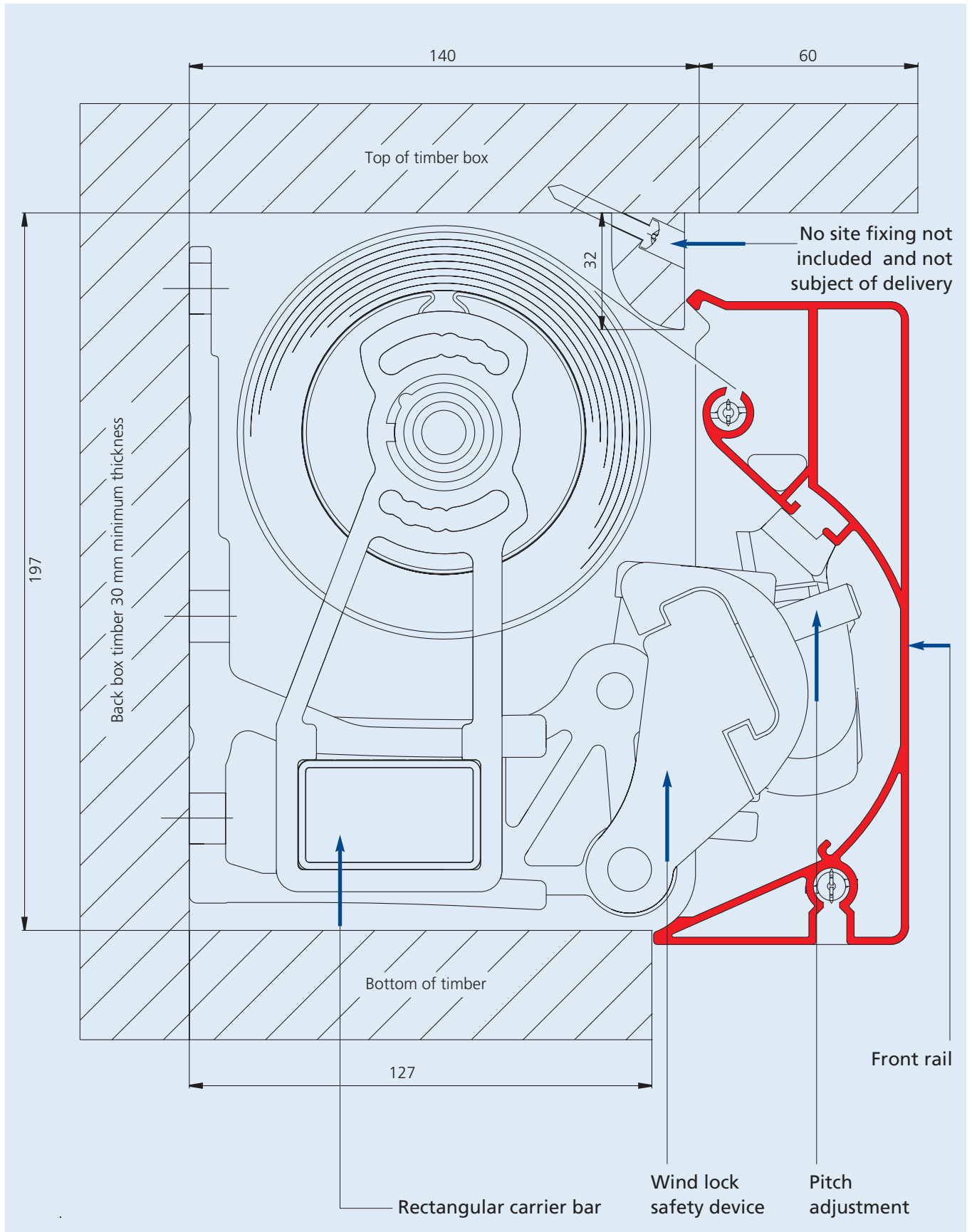
| Designation | Material | Surface treatment | Qualities | Your advantages |
|---------------------------------------|--|---|---|---|
| Awning fabric from external suppliers | Acrylic | Spin-jet dyed, impregnated | Warp printed, watertight | Even greater selection of unicolour and striped fabrics. |
| Removable valance | Acrylic | Spin-jet dyed, impregnated | Light and weather proof | The piped border makes fitting and removing the valance simple. |
| Remote-controlled drive | | | | On request, an integrated tubular motor with WeiTronic receiver can be fitted. The WeiTronic Remoto handheld remote control makes for easy operation of the awning. See the Accessories section for more details. |
| Niche wall brackets | Aluminium, extruded, sections cut and machined | Machine-edged, chrome-free pre-treated, powder coated | Surface permanently scratch and weather resistant | Sophisticated quality, precise and weather resistant down to the very last detail. Easier service due to use of same components |

Exploded drawing of N 2000

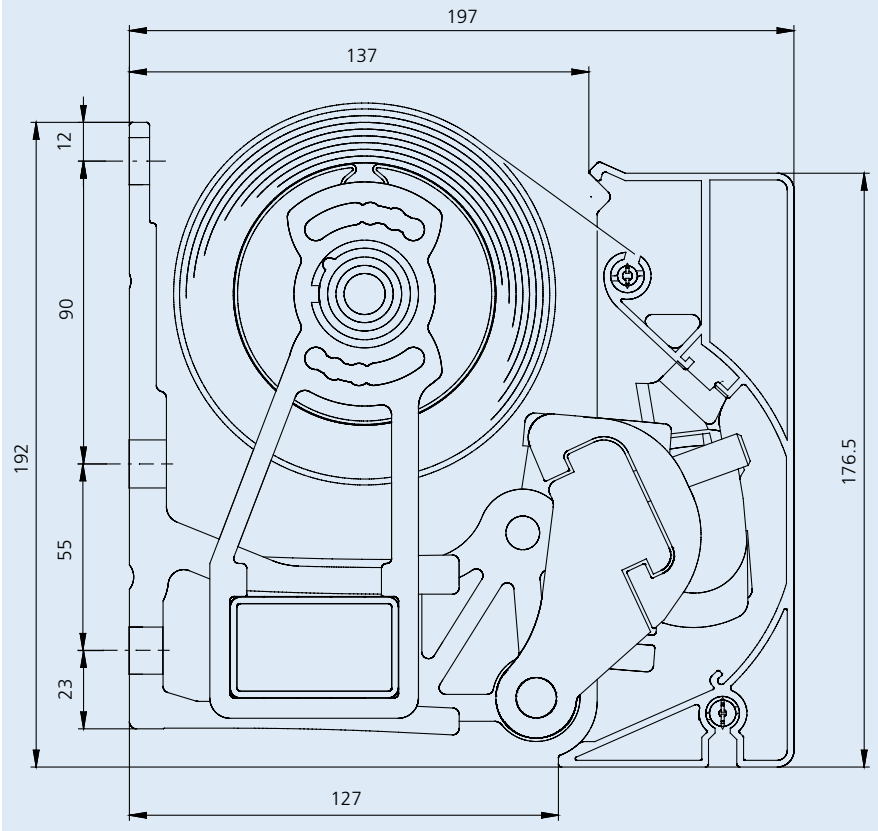


We reserve the right to make technical alterations. December 2006

Cross-sectional drawing N 2000 – not to scale

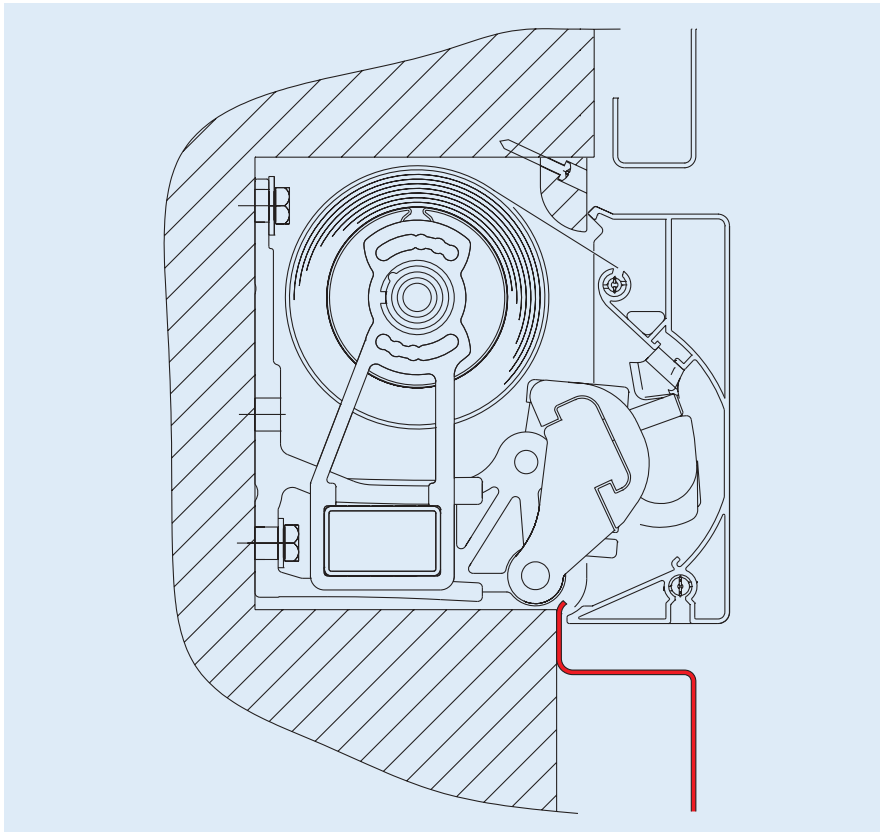


Cross sections and dimensions



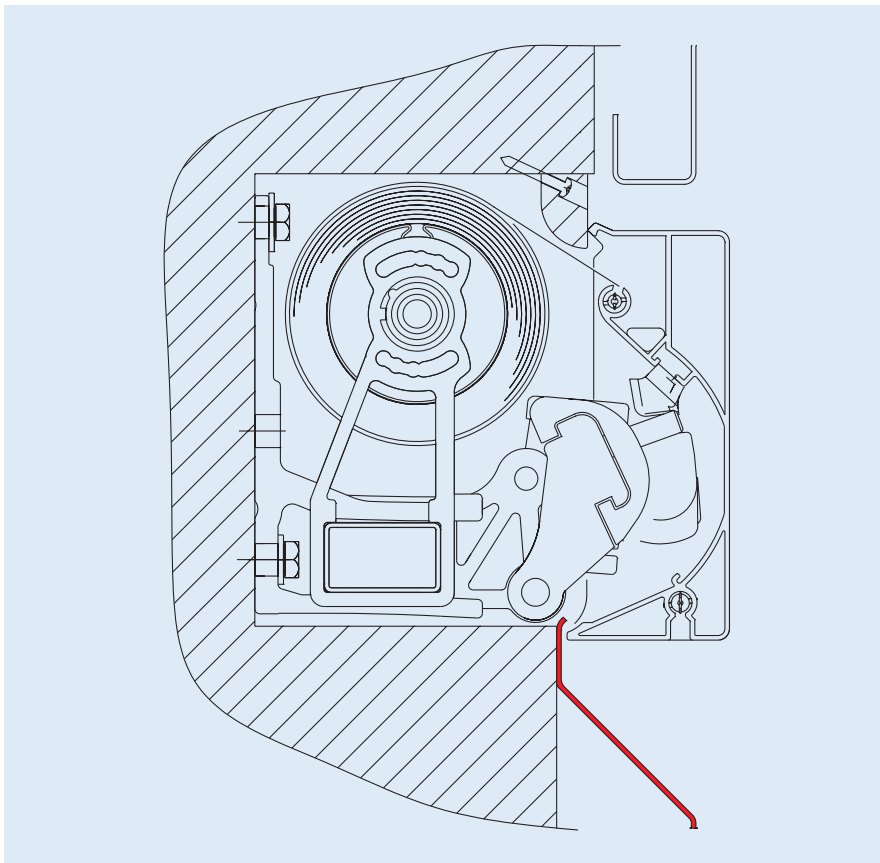
Cross section N 2000

Fitting variations on weinor N 2000 in niche assembling



Up to 15 degree pitch

Attention to collision of frontrail with low facade profile.



Up to 45 degree pitch

weinor Awnings order form

weinor The awning
Fax Cologne: + 49 (0) 2 21/59 70 94 36

Order from (please use rubber stamp)

Customer number

| | | | | | |
|--|--|--|--|--|--|
| | | | | | |
|--|--|--|--|--|--|

weinor field sales representative

Order

Date of order

Customer's preferred date of delivery

Delivery address (if different from above)/other

Fabric

Pattern No. _____ Fabric sewn with PTFE yarn

Valance

Standard; Shape No. 3, suitably fitted. Height: 20 cm;
30 cm for **MiniMax**

Shape No. _____ Quantity _____

Height special request _____ Tape No. _____

Accessories

- weinor **Tempura** heating system
(Please use the separate Accessories Order Form)
- weinor Light Bar **Lux**
(Please use the separate Accessories Order Form)

Powder coating

RAL colour _____

Trendy conservatory colour/
other structure colour _____

Colour-contrasting box and front rail end caps for

Cap, I/K 2000 and Semina

- | | | |
|-----------------------------------|-----------------------------------|--------------------------------------|
| <input type="checkbox"/> RAL 9016 | <input type="checkbox"/> RAL 9006 | <input type="checkbox"/> RAL 5017 |
| <input type="checkbox"/> RAL 1003 | <input type="checkbox"/> RAL 6005 | <input type="checkbox"/> weinor 7319 |

The order is subject to weinor's applicable conditions of supply and payment:

Signature

Fax re-sent

(please copy)

- | | |
|---|---|
| <input type="checkbox"/> Topas , without top | <input type="checkbox"/> Cap |
| <input type="checkbox"/> Topas , with top | <input type="checkbox"/> Cap MiniMax |
| <input type="checkbox"/> Topas MiniMax , without top | <input type="checkbox"/> I 2000 <input type="checkbox"/> K 2000 |
| <input type="checkbox"/> Topas MiniMax , with top | <input type="checkbox"/> N 2000 |
| | <input type="checkbox"/> Semina |

Quantity _____ No. of arms _____

Width _____ Projection angle _____

For 2-piece systems:

- Vent covering bracket Sliding support (not for
(not for **Semina, N 2000**) **Semina, Cap, N 2000**)

Cap MiniMax and Topas MiniMax

lower positioned folding arm left right

Options for Topas without top and Cap

as well as **I 2000** and **K 2000**

Valance Plus height (cm) 100 150 200

Position of drive **Valance Plus** left right

(Standard as awning side)

Fixing brackets

- Brackets for wall mounting on concrete surfaces C20/25
(without spacer sleeves)

For other surfaces/assembly configurations, please enter the quantity and article number of the relevant brackets in accordance with the Pricelist Brackets.

Quantity _____ Article No. _____

Quantity _____ Article No. _____

or enter the quantity of the required brackets/mounting plates individually:

| Brackets | Quantity | Mounting plates | Quantity |
|----------|----------|-----------------|----------|
|----------|----------|-----------------|----------|

| | | | |
|----------------------|-------|-------------------|-------|
| Wall bracket (85 mm) | _____ | 280 x 240 x 15 mm | _____ |
|----------------------|-------|-------------------|-------|

| | | | |
|-----------------------|-------|-------------------|-------|
| Wall bracket (260 mm) | _____ | 280 x 640 x 15 mm | _____ |
|-----------------------|-------|-------------------|-------|

| | | | |
|-----------|-------|-------------------|-------|
| Joist fix | _____ | 370 x 640 x 15 mm | _____ |
|-----------|-------|-------------------|-------|

| | | | |
|--|-------|---------------------------------|-------|
| Ceiling bracket (with wall bracket) | _____ | Base plate 180 x 100 x 15 mm | _____ |
|--|-------|---------------------------------|-------|

| | | | |
|---|-------|-------------------------------|-------|
| Ceiling bracket, compact (only Topas w. t., Cap) | _____ | Base plate 178 x 75 x 4 mm | _____ |
|---|-------|-------------------------------|-------|

Spacer sleeves Tube PA6 Natur (5 tubes, each 100 cm) _____

Spreader tube, rectangular (4 tubes, each 100 cm) _____

Motor drive (viewed from the outside)

- Motor left Motor right
- WeiTronic Combio-868 MA remote controlled receiver

Sensors:

- WeiTronic Aero-868 AC 230 WeiTronic Aero-868 Solar
- WeiTronic Lumero-868

Handheld remote control unit:

- WeiTronic Remoto 1 WeiTronic Remoto 5
- WeiTronic Remoto 1M WeiTronic Remoto 5M

Crank mechanism

left right

Length of handle (in cm)

- 80 100 120 140 160 180
- 200