

For nearly 25 years MAY has been a leading trade name for premium parasols. Right from the start, the company has resolutely pursued a policy of transferring creative concepts into technical solutions. The result: multi-purpose sunshades, used and proven in all kinds of weather, day by day, worldwide. The experience gained by our long-time employees has contributed to the consistently high standard of all our company objectives – from the manufacturing process to customer service.

Satisfied customers and the pleasure of mutually carving a way to success – that is what motivates us anew every day. Please, allow yourself some time for this catalogue and enjoy the year outdoors with our sunshades.

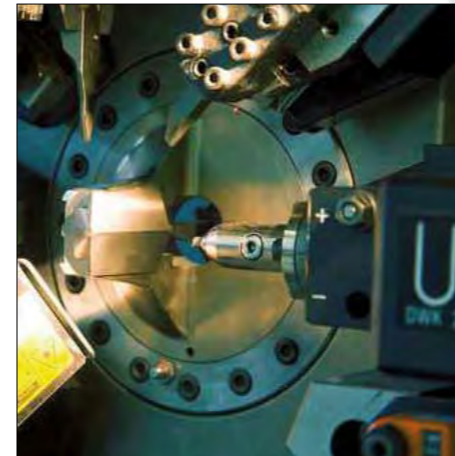
CAD construction of the mechanism of a MAY parasol



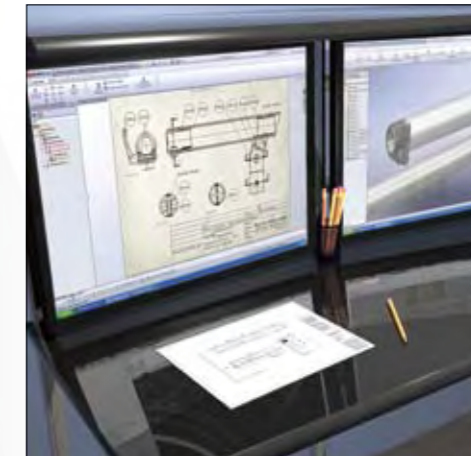
It's the small details that make a great difference.

- designed in Germany
- manufactured in Germany
- tried and proven in the whole world

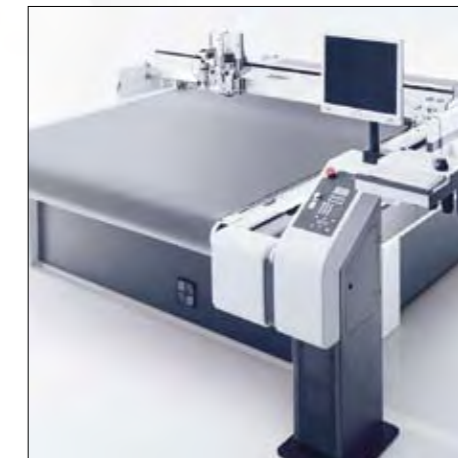
MAY – shade systems made in Germany



Precision work in the CNC centre



Designing at a CAD work station



Cutting out accurately to a tenth of a millimetre using state-of-the-art computer technology



Sewing with finest handicraft

Your Personalized Side-Post Parasol

For us, YOU, our customer, are the measure of all things. No matter how individual your needs, our customized product range is sure to meet your requirements. Simply compose your very own side-post parasol from a variety of options. Choose from the following series:

MEZZO, DACAPO and RIALTO.

A large range of accessories is available for each parasol type.

Parasol shapes

- round
- square
- rectangular
- oval

Opening and closing mechanism

- screw tensioner
- crank drive

Valance options

- without valance
- straight valance

Canopy covering fabric

- Leacril 300 g/m²
- Airtex 200 g/m²

Awning and border colours

- 43 awning colours
- 30 binding tape colours

Frame colours

- white RAL 9010
- silver EV1

Type of support mast

Side-post

- Type MEZZO
- Type DACAPO
- Type RIALTO



MEZZO MG Standard Model

Stability while in use

The practical Mezzo canopy lock allows the user to open and close the parasol when it is in an inclined position and prevents the canopy from swinging in the wind.

Ergonomic handling

The operational mechanism of the parasol is conveniently positioned and can easily be adjusted to suit the height of your choice.

Crank drive

With the help of a crank Mezzo can be opened and closed, positioned and locked in next to no time.

High-quality framework materials

The poles of our sunshades are all made of high-quality alloyed, extruded aluminium profiles. Frame surfaces are anodized, highly impact-

proof, and available in the colour EV1 natural silver-grey. The spokes are of spring steel and powder-coated, available in white RAL 9010 or silver RAL 9006.

Canopy covering

For fabrics and colours cf. Page 84 onward

Valance options

- without valance
- straight valance

When not in use

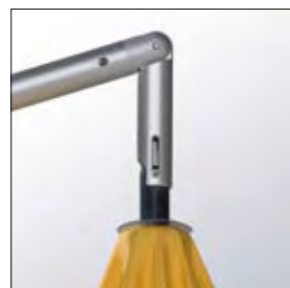
The protective cover provided can easily be slipped over the shade during bad weather periods.

Installation options

- mobile
 - stationary
- cf. Page 18 onward



Ergonomic handling



Stability while in use

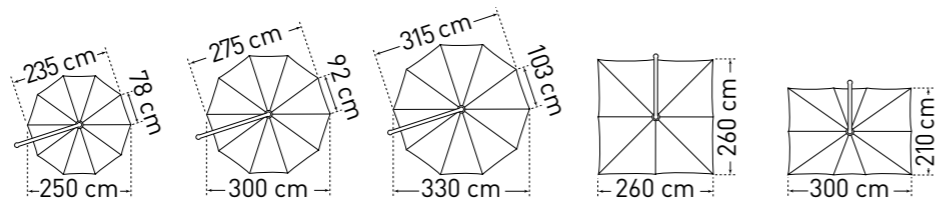


Optimal adjustability

The canopy can be rotated around all three axes:
 360° around the support pole
 180° around the cross arm
 90° around the joint axis

Such unique freedom of movement makes it possible for the user to adjust the parasol to the changing position of the sun or to use it as a protective screen.

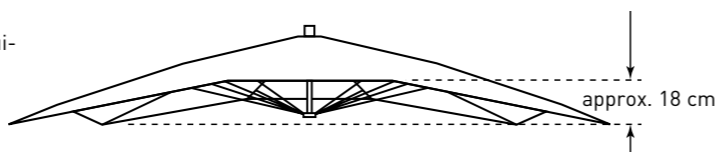




MEZZO MG Standard Model		Ø 2.5 m	Ø 3.0 m	Ø 3.3 m ¹⁾	2.6 x 2.6 m	2.1 x 3.0 m ²⁾
Segments		10	10	10	8	10
Area	m ²	5	7	8,5	6,75	6,25
A	without/with valance cm	193	182 / 172	200	209	195
B	without/with valance cm	253	251 / 241	269	268	261
C	without/with valance cm	339	359 / 369	405	372	351
D	without/with valance cm	127	104 / 114	100	129	150
E	cm	162	162	170	162	162
F	cm	280	305	335	282	272
G	cm	55	55	55	55	55
H	cm	90	90	90	90	90
I	without/with valance cm	182 / 192	182 / 192	192	192	192
K	without/with valance cm	259 / 269	259 / 269	278	268	270
L	without/with valance cm	30 / 40	30 / 40	40	38	40
M	without/with valance cm	92 / 102	93 / 103	90	69	73
P	without/with valance cm	83 / 74	80 / 70	73	50	54
Weight	kg	16	17	18	16	16
Q	Support pole diameter mm	outer Ø 55 (pole thickness 3)				
Packaging		rectangular cardboard box: 3 kg, l= 290 cm, w= 37 cm, h= 15 cm				

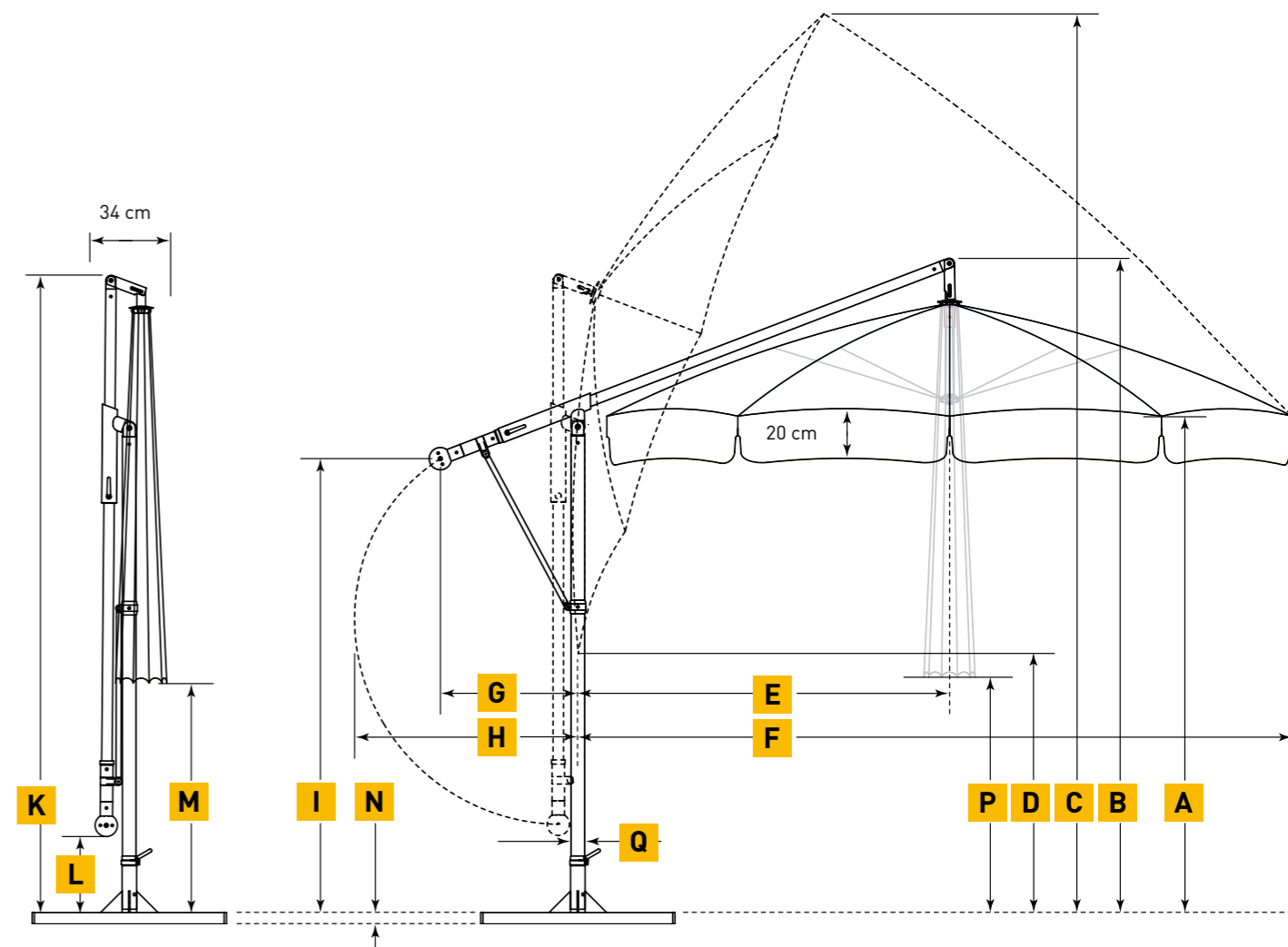
¹⁾ Additional pedestal weight may be required for windy locations (up-wind, sloping sites and so on). Do not use granite base. Pedestals require 2 sets of concrete slabs.

²⁾ The canopy is vaulted, so that the corner spokes are approx. 9 - 18 cm lower than the centre spokes. (cf. sketch)



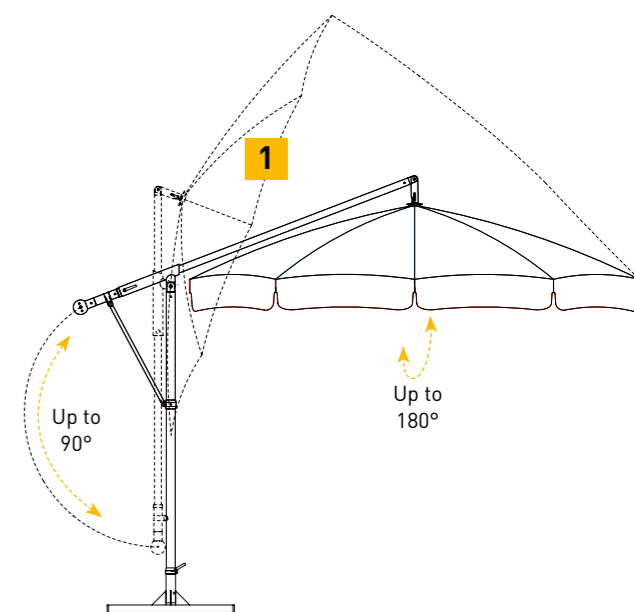
The heights specified are for sunshades that are mounted in anchor tube DMZ 118. The increase in height for parasols with other installation bases can be seen in the list below:

Cross pedestal:	DMZ 110 + 6 cm
Full frame pedestal:	DMZ 111 + 9 cm
Full frame pedestal:	DMZ 112 + 12 cm
Full frame pedestal:	DMZ 114 + 16 cm
Dowel-anchored plate:	DMZ 123 + 4 cm
Granite base:	DMZ 141 + 10 cm



Adjustable to suit your individual needs

1 No matter where the sun is, the parasol canopy can be tilted at any angle for shade and protection, then locked.



MEZZO MH – with height adjustment

More functions – more benefits! Our model MEZZO MH not only has the standard functions of MEZZO MG, it also offers the possibility of effortless height adjustment. Thanks to a pneumatic spring incorporated in the support pole, the physical strength needed to raise or lower the parasol is effectively reduced to a minimum.



Optimal adjustability
 The canopy can be rotated around all three axes:
 360° around the support pole
 180° around the cross arm
 90° around the joint axis

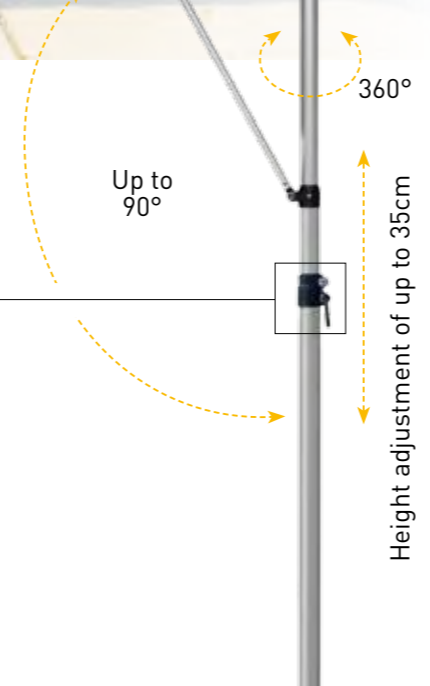
Such unique freedom of movement makes it possible for the user to adjust the parasol to the changing position of the sun or to use it as a protective screen.

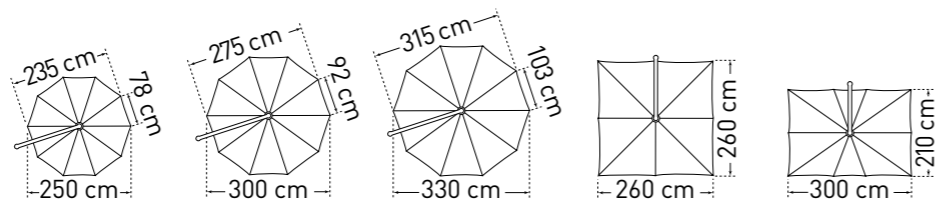


Ergonomic handling



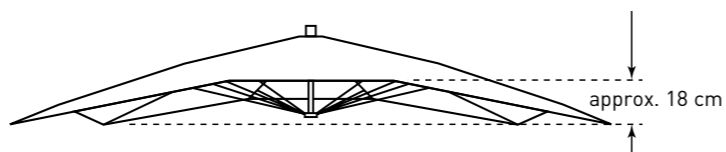
Double clamp for height adjustment





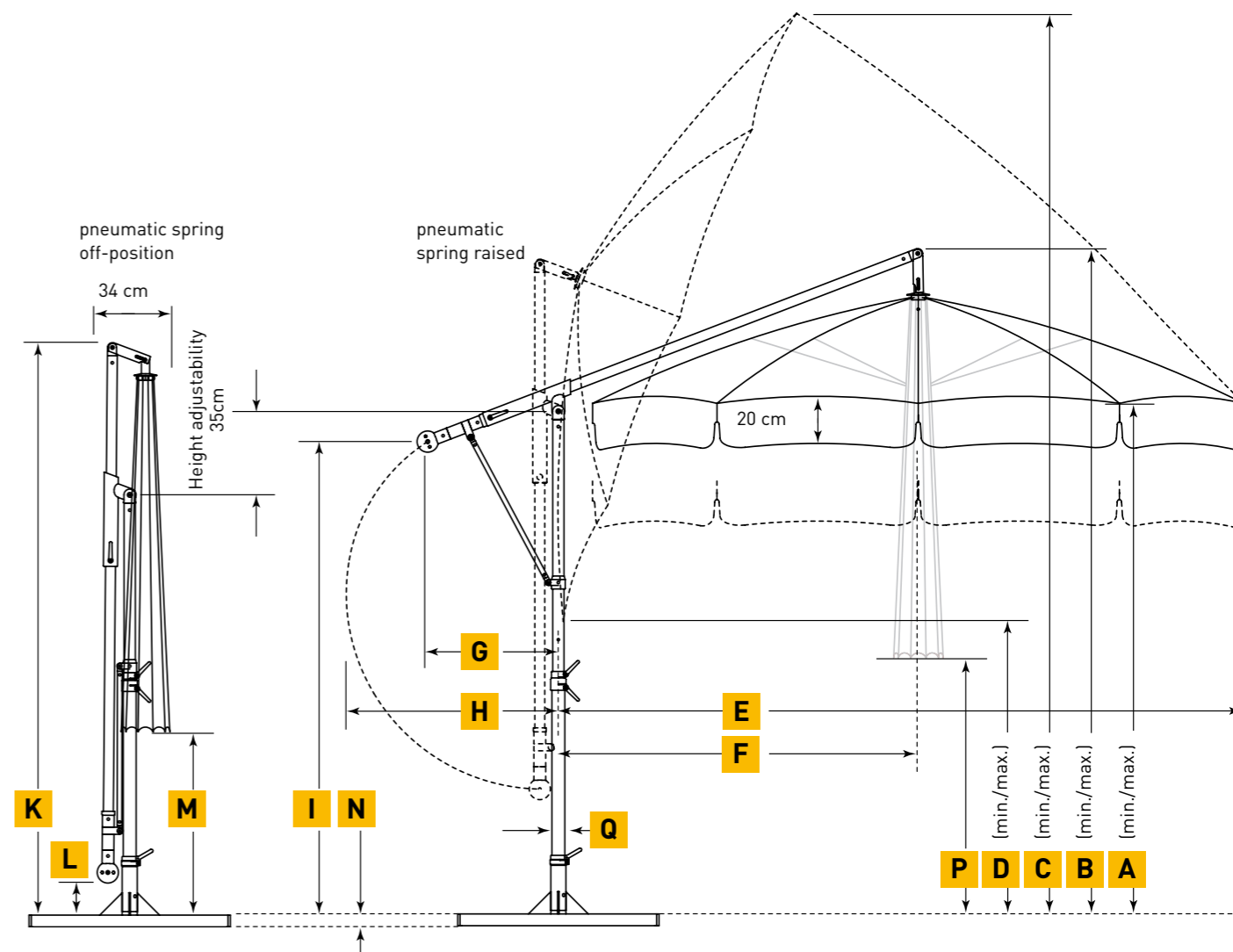
MEZZO - model MH			Ø 2.5 m	Ø 3.0 m	Ø 3.3 m ¹⁾	2.6 x 2.6 m	2.1 x 3.0 m ²⁾	
	Segments		10	10	10	8	10	
	Area	m ²	5	7	8,5	6,75	6,25	
A	max./min.	cm	212 / 177	212 / 178	198 / 163	217 / 182	191 / 156	
B	max./min.	cm	270 / 235	273 / 238	270 / 235	276 / 241	270 / 235	
C	max./min.	cm	357 / 322	370 / 335	408 / 373	380 / 345	358 / 323	
D	max./min.	cm	145 / 110	120 / 85	115 / 80	137 / 102	160 / 125	
E		cm	285	300	328	282	272	
F		cm	160	160	171	160	160	
G		cm	55	55	55	55	55	
H		cm	90	90	90	90	90	
I	max./min.	cm	200 / 165	200 / 165	200 / 165	200 / 165	200 / 165	
K	max./min.	cm	276 / 241	276 / 241	285 / 250	276 / 241	276 / 241	
L	max./min.	cm	46 / 11	46 / 11	46 / 11	46 / 11	46 / 11	
M		cm	117 / 82	110 / 75	100 / 65	77 / 42	80 / 45	
P	max./min.	cm	102 / 67	95 / 60	75 / 40	58 / 23	62 / 27	
	Weight	kg	18	19	20	18	18	
Q	Support pole diameter	mm	outer Ø 55 (pole thickness 3)					
	Packaging:		rectangular cardboard box: 3 kg, l= 270 cm, b= 37 cm, h= 15 cm					

¹⁾ Additional pedestal weight may be required for windy locations (upwind, sloping sites and so on). Do not use granite base. Pedestals require 2 sets of concrete slabs.
²⁾ The canopy is vaulted, so that the corner spokes are approx. 9 - 18 cm lower than the centre spokes. (cf. sketch)



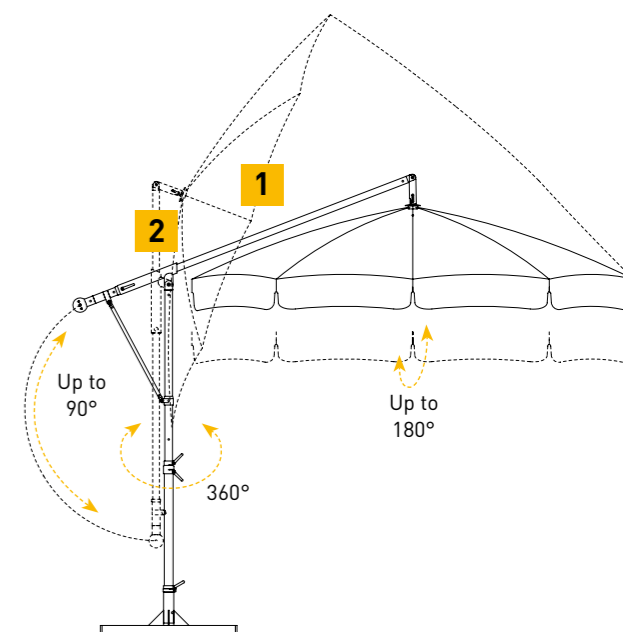
The heights specified are for sunshades that are mounted in anchor tube DMZ 118. The increase in height for parasols with other installation bases can be seen in the list below:

Cross pedestal:	DMZ 110 + 6 cm
Full frame pedestal:	DMZ 111 + 9 cm
Full frame pedestal:	DMZ 112 + 12 cm
Full frame pedestal:	DMZ 114 + 16 cm
Dowel-anchored plate:	DMZ 123 + 4 cm
Granite base:	DMZ 141 + 10 cm



Adjustable to suit your individual needs

- 1** No matter where the sun is, the parasol canopy can be tilted at any angle for shade and protection, then locked.
- 2** Effortless height adjustment thanks to standard incorporation of a pneumatic spring in the support pole (MH).



MEZZO – Accessories and Bases

Additional protective sleeve with zipper, in Airtex.
Please state parasol size.

Order No. **MA130**



MA130

MEZZO – mobile installation options

Cross pedestal

mounted with screws, without slabs,
for standard concrete slabs,
40 x 40 x 5 cm, galvanized. 83 x 83 cm,
weight 4.5 kg, total height 28 cm.

Order No. **DMZ110**



DMZ110

Full frame pedestal without slabs,
for 1 set of concrete slabs,
galvanized, 83 x 83 cm, weight 22 kg,
height of frame (x) = 5 cm, total height 31cm.

Order No. **DMZ111**



DMZ111

Full frame pedestal with 4 diagonal support le-
velling screws, without slabs, for 1 set of concrete
slabs, galvanized, 83 x 83 cm, weight 23 kg,
total height min. 34 cm, max. 38 cm.

Order No. **DMZ112**



DMZ112

Full frame pedestal on wheels with heavy-duty
rollers and fixing brakes, without slabs, for 1 set
of concrete slabs, galvanized, 83 x 83 cm, weight
23 kg, total height 38 cm, diameter of rollers 5 cm.
Attention: wind sensitive!

Order No. **DMZ114**



DMZ114

Concrete slabs

1 set = 4 slabs, each 40 x 40 x 5 cm,
weight per slab: approx. 18 kg.

Order No. **XZ40**

Granite Base

Ø approx. 70 cm, 1 piece, round,
height approx. 10 cm, grey, polished, 4 recessed
grips, stainless steel surface, weight 100 kg.

Order No. **DMZ141**



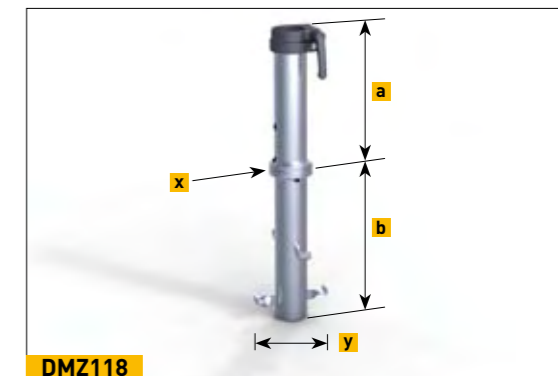
DMZ141

XZ40

Anchor tube to be embedded in concrete

2 pieces, screw-off upper part, galvanized,
weight 4.7 kg, incl. top plate for winter protection,
a = 25 cm, b = 29 cm, x = Ø 8 cm, y = 15 cm.

Order No. **DMZ118**



DMZ118

Anchor tube to be embedded in concrete

same as DMZ 118, but lockable with theft pin.

Order No. **DMZ119**

Dowel-anchored plate

galvanized, weight 18 kg
a = 27.5 cm, x = 30 x 30 cm, t = 1 cm, z = Ø 1.8 cm.

Order No. **DMZ123**



DMZ123

Dowel-anchored plate

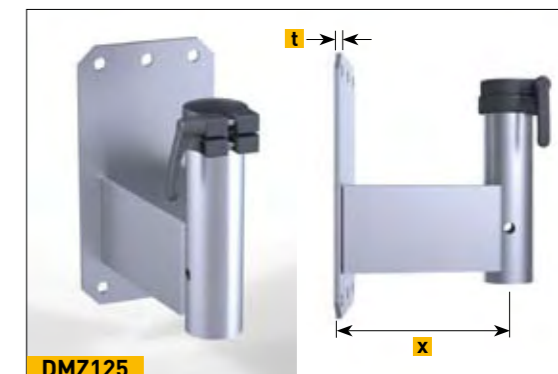
same as DMZ 123, but lockable with theft pin.

Order No. **DMZ124**

Wall bracket

galvanized, weight 5.5 kg,
wall plate, 30 x 16 cm, x = 20 cm, t = 0.6 cm,
Bottom of support pole rests on bottom end of
anchor tube.

Order No. **DMZ125**

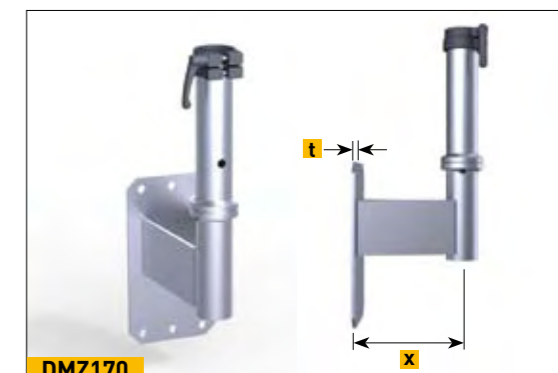


DMZ125

Wall bracket

with upper part of anchor tube DM 118
galvanized, weight 6.5 kg,
wall plate 30x16 cm, x = 20 cm, t = 0.6 cm.

Order No. **DMZ170**



DMZ170

Theft pin

padlock and pin.

Order No. **200194**



200194

3-dimensional view of installation base with trip-proof top
plate for winter protection.



DMZ118

MEZZO – Stationary Installation Options