



The jewel of our large-area sunshades

- optimal space utilization
- large-area all-weather protection
- easy handling
- extremely wind-resistant

**MAY – shade systems
made in Germany**



Especially designed to meet the requirements of outdoor catering, this sunshade concept provides an exclusive atmosphere in large areas. Its clear design is unique and lends its very own unmistakable charm to any outside area. These sunshades stand out by virtue of their maintenance-free drive and particularly robust construction.



Operation

ALBATROS, our large-area sunshade, is opened and closed with a smooth-running, removable stainless steel crank or with the help of a cordless drill (hex drill fitting).

The reliable drive-system with accurate integrated bevel gears guarantees effortless handling, even after years of usage. Electric drive on request.

High-quality framework materials

The poles of our sunshades are all made of high-quality alloyed, extruded aluminium profiles. Frame surfaces are powder-coated, highly impact-proof, and available in white RAL 9010, brown RAL 8019, or silver RAL 9006. Special colours available on request.

- support pole Ø 100 x 5 mm
- spoke dimensions 50 x 25 x 2 mm
- support strut dimensions 40 x 25 x 3 mm

Robust central rod system

Disc with support struts and spokes. In order to prevent the spokes from getting twisted, the lower die-cast disc is firmly welded to the support pole.

Frame joints

For us perfection in workmanship is an absolute must. Therefore, all moving axes are fitted with easily removable bolts. This extravagant technology ensures maximum stability and durability as well as easy execution of repairs.

Top plate

Elegant and graceful. Can be screwed off. With intermediate, shock-absorbing rubber pad. Colour to match framework.

Canopy covering fabric

Due to a special self-tensioning telescopic spring system the awning remains perfectly taut, even after years of usage. The canopy covering can easily and quickly be exchanged by means of a practical hooking system. For fabrics and awning colours see Page 84 onward.

Valance options

- without valance
- straight valance
- Deluxe valance cf. Page 91

When not in use

The protective cover provided can easily be fitted over the shade during bad weather periods.

Mounting

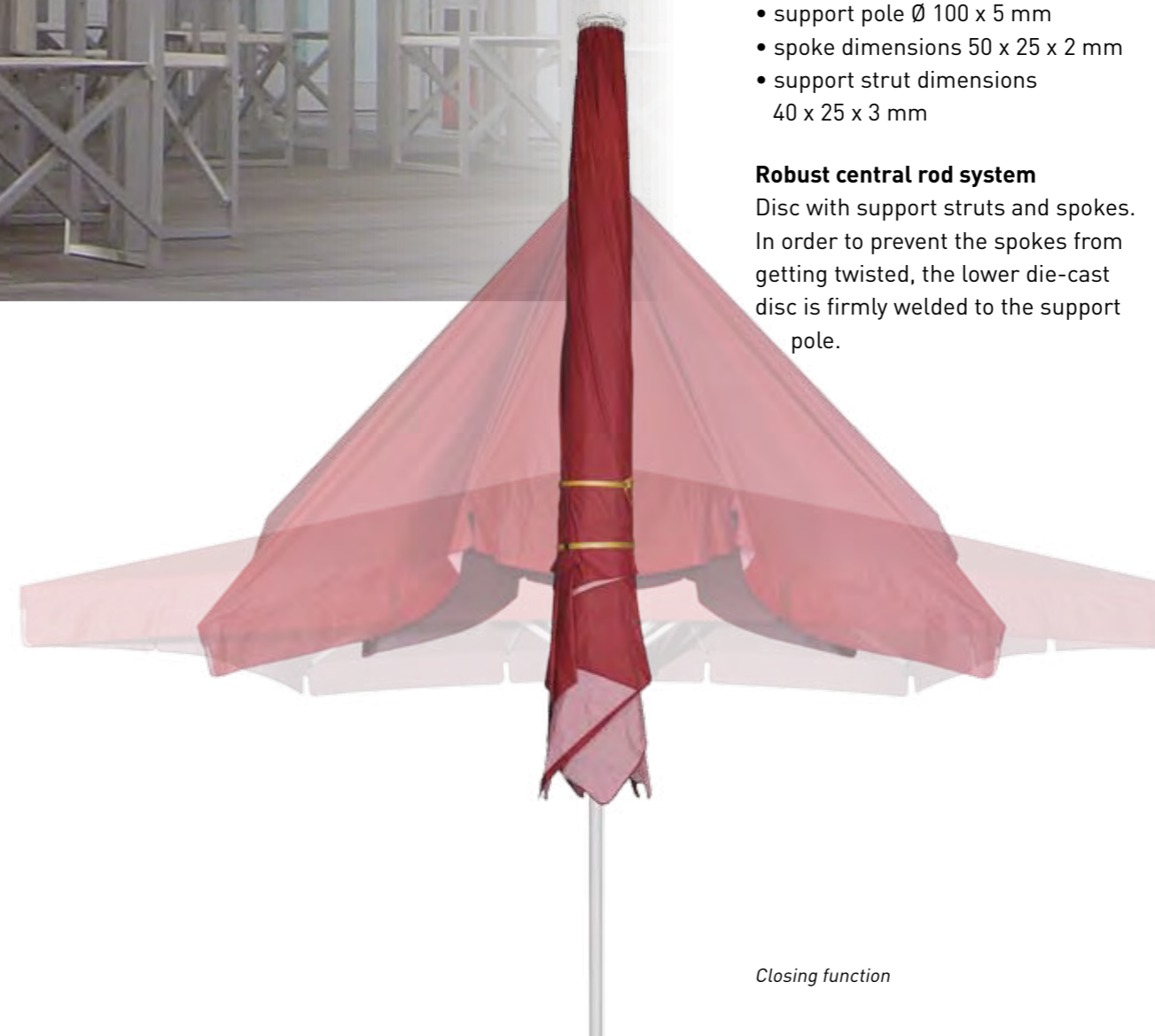
- Pull parasol out of cardboard sleeve.
- Remove all packaging material.
- Place parasol mast in holding tube. That's all – ready for use in minutes!

Installation options

- mobile
- stationary cf. Page 70 onward

Additional equipment

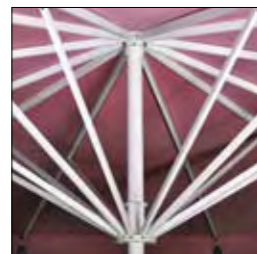
- Side sheets
- Rain gutter
- Heaters, lighting and loud speakers cf. Page 74 onward



Closing function



Operating mechanism



High-quality framework



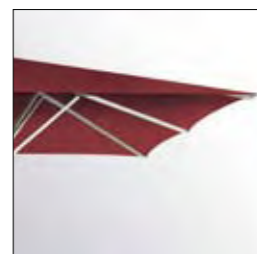
Frame joints



Top plate



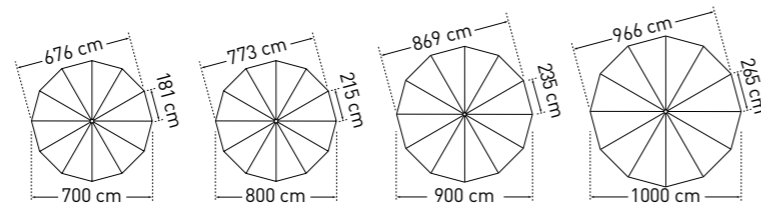
Canopy covering



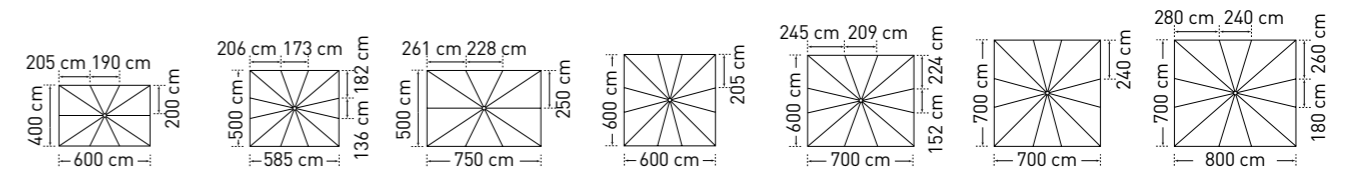
Without valance



Straight valance



Model ALBATROS		Ø 7 m	Ø 8 m	Ø 9 m	Ø 10 m ¹⁾
Segments		12	12	12	12
Area		m ² 37	50	63	78
A	Height closed incl. top plate	cm 520	535	550	565
B	Height opened incl. top plate	cm 345	360	375	390
C	Headroom with valance	cm 210	208	206	205
D	Headroom without valance	cm 245	245	242	240
E	Height valance	cm 33	33	33	33
F	Ground clearance from spoke edge	cm 155	120	85	50
G	Crank height	cm 92	92	92	92
Height lower disc flange		cm 190	205	220	235
Weight without packaging		kg 128	133	147	160
Support pole diameter		mm outer Ø 100 (pole thickness 5)			
Packaging: cardboard sleeve		Ø 45 cm, length 580 cm, weight 30 kg			

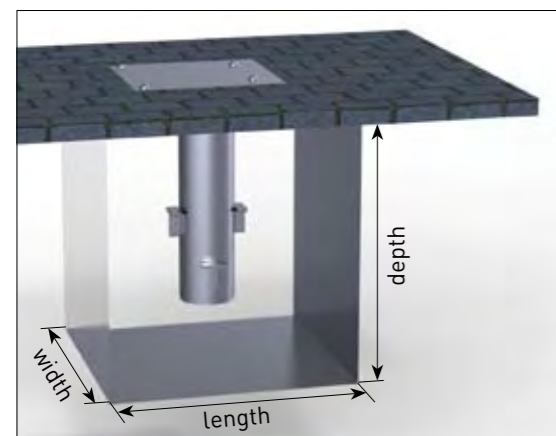


4 x 6 m	5 x 5.85 m	5 x 7.5 m ¹⁾	6 x 6 m	6 x 7 m	7 x 7 m ¹⁾	7 x 8 m ¹⁾
10	12	10	12	12	12	12
24	29	37,5	36	41	49	56
520	525	535	535	555	550	570
325	329	329	345	359	355	375
213	213	213	210	213	210	210
242	240	240	245	242	245	245
33	33	33	33	33	33	33
145	130	72	95	72	38	25
70	92	92	92	92	92	92
183	190	200	200	207	215	235
104	106	129	113	121	133	160
outer Ø 100 (pole thickness 5)						
Ø 45 cm, length 580 cm, weight 30 kg						

¹⁾ When concrete slabs are used as ballast, the shade cannot be fully closed because of the length of the spokes. In this case the length of the mast can be extended by 20 cm at an extra charge (cf. price-list Accessories). Note that the height dimensions then have to be increased by 20 cm.

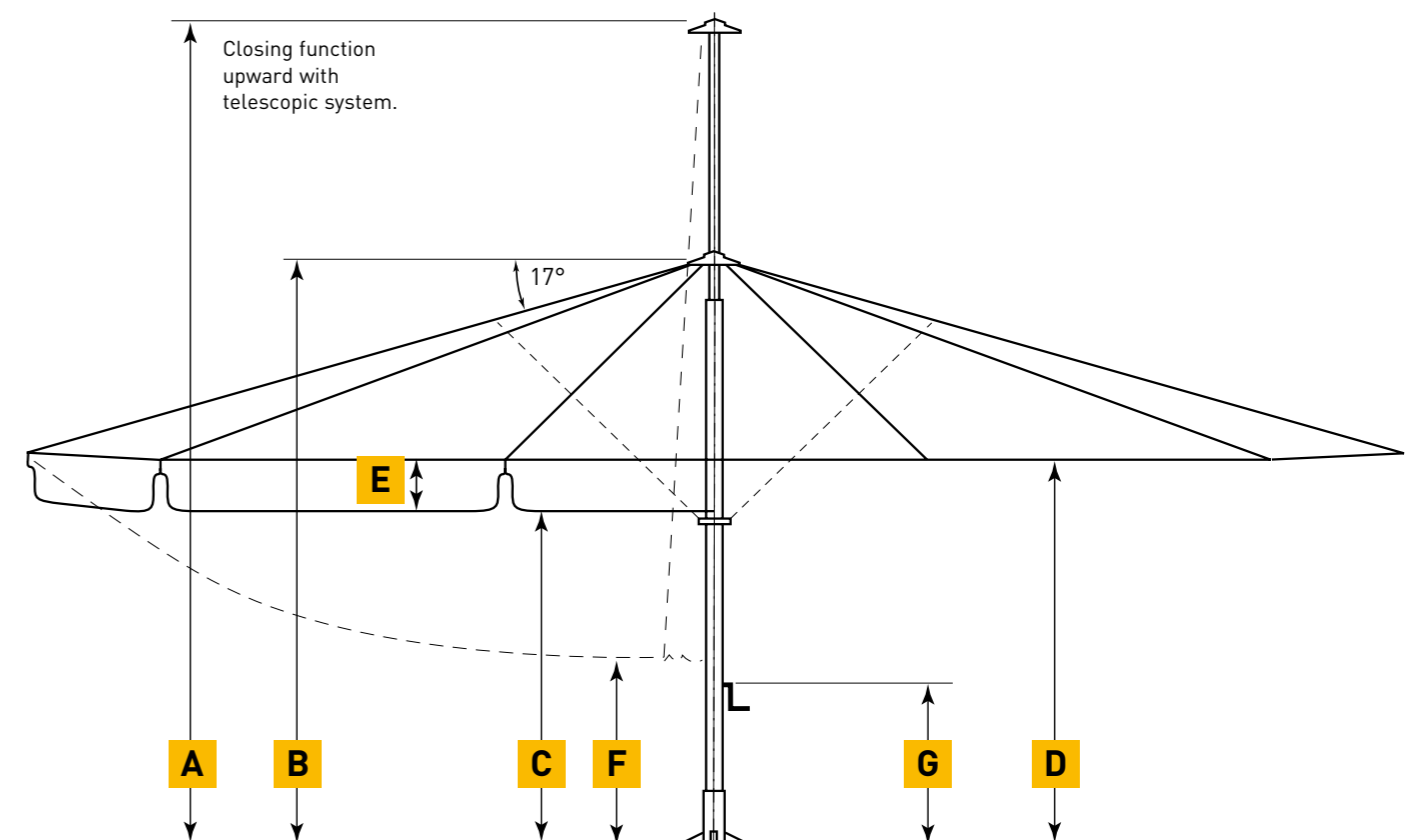
All particulars given refer to sunshades fitted with Leacril covering. Intermediate and special sizes on request.

3D view of installation base with top plate for winter protection. Base must be frost-proof and enlarged if the ground is unstable.



Installation base and ballast

Size of sunshade	Installation base width/length/min. depth	Required ballast for mobile installation (incl. frame)
Ø 7 m	80/80/60 cm	approx. 720 kg
Ø 8 m	80/80/60 cm	approx. 980 kg
Ø 9 m	90/90/60 cm	approx. 1240 kg
Ø 10 m	100/100/60 cm	approx. 1560 kg
4 x 6 m	70/70/60 cm	approx. 720 kg
5 x 5.85 m	70/70/60 cm	approx. 720 kg
5 x 7.5 m	70/70/60 cm	approx. 720 kg
6 x 6 m	70/70/60 cm	approx. 720 kg
6 x 7 m	80/80/60 cm	approx. 980 kg
7 x 7 m	80/80/60 cm	approx. 980 kg
7 x 8 m	90/90/60 cm	approx. 1240 kg





ALBATROS Accessories and Bases

Additional protective sleeve,
in Airtex. Please state sunshade size.

Order No. **AA130**



AA130

Additional protective sleeve with telescopic system and zipper,
in Airtex, length of telescope: 4.5 m.
Please state sunshade size.

Order No. **AA132**

Protective sleeve for sunshades with integrated heaters, with telescopic system and zipper,
in Airtex, length of telescope: 4.5 m.
Please state sunshade size.

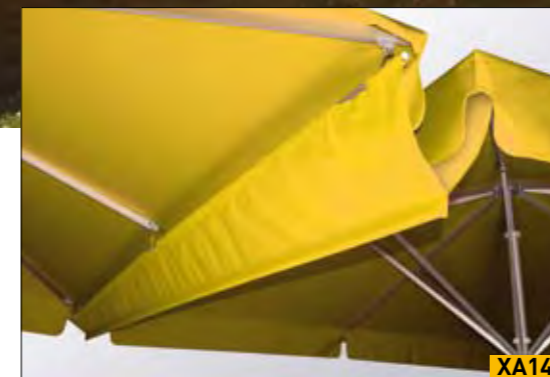
Order No. **AA134**



AA132 / AA134

Hexagonal fitting
for speedy opening and closing of sunshade
with battery-powered drill.

Order No. **200112**



XA141



AA140



Side sheet

Albatros Accessories and Bases

Rain gutter
in Airtex, with aluminium rods for stabilization.
Can only be used with "straight valance".
Order No. **XA141**

Holder for side sheets and rain gutter
1 piece per spoke required.
Order No. **AA140**

Heaters and lighting
cf. Page 72 onward.

Length extension of centre pole
State required additional length in cm (max. 50 cm).

Special frame paint finish
Please state colour of powder-coating in RAL.

Canopy covering PVC-Era
approx. 380g/m².

Side sheets
Textile in Airtex,
cf. Page 82 onward.

ALBATROS – Mobile Installation Options

Full frame pedestal, without slabs, for standard concrete slabs, 50 x 50 x 5 cm, galvanized, 112 x 112 cm, weight approx. 60 kg, total height 46 cm.

Order No. **AZ111**



Full frame pedestal with 8 diagonal support leveling screws, without slabs, for standard concrete slabs, 50 x 50 x 5 cm, galvanized, 112 x 112 cm, weight approx. 63 kg, total height min. 48 cm, max. 53 cm.

Order No. **AZ112**



Concrete slabs

1 set = 4 slabs, each 50 x 50 x 5 cm, weight per slab: approx. 28 kg.

Order No. **XZ50**

Steel slabs

1 set = 4 slabs, each 50 x 50 x 1.2 cm, weight per slab: approx. 24 kg, galvanized.

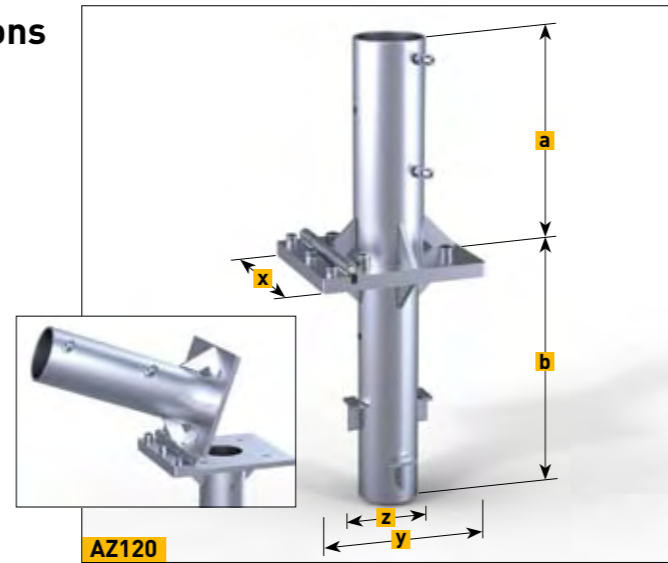
Order No. **XZ51**

ALBATROS – Stationary Installation Options

Anchor foot with placement hinge, to be embedded in concrete, 2 pieces, theft pin as standard fitting, galvanized, galvanized, 35 x 40 x 45 cm, weight 20.5 kg. Pre-drill sunshade with anchor foot on site.

a = 36 cm, b = 41 cm, x = 24 cm, y = 27.5 cm, z = 14.5 cm.

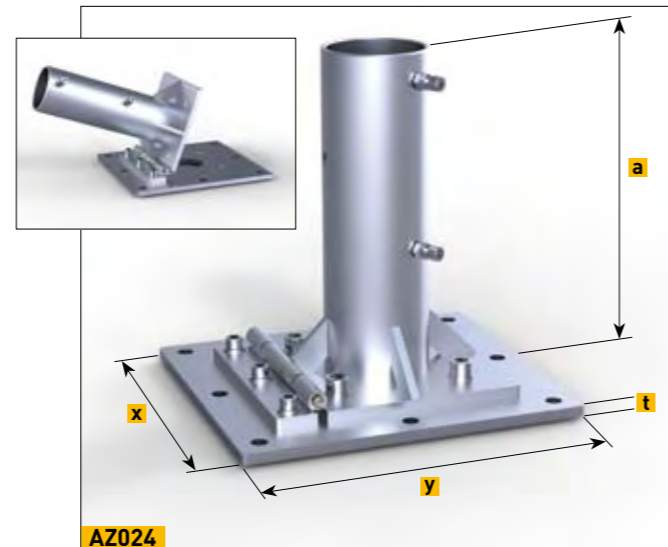
Order No. **AZ120**



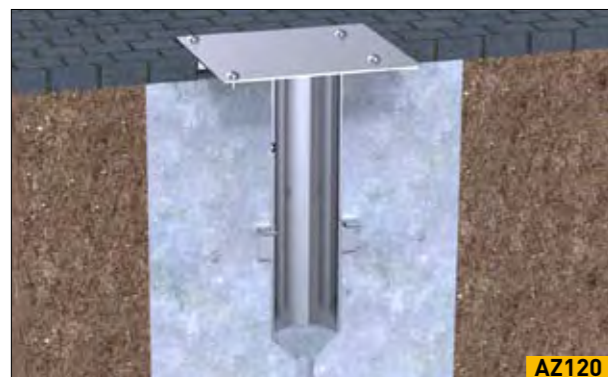
Dowel-anchored plate, with placement hinge, 2 pieces, theft pin as standard fitting, galvanized, 50 x 50 x 45 x 1.2 cm, weight 22 kg. Pre-drill sunshade with anchor foot on site,

a = 37.5 cm, x = 34 cm, y = 37.5 cm, t = 1.2 cm.

Order No. **AZ024**



3-dimensional view of installation base with trip-proof top plate for winter protection.



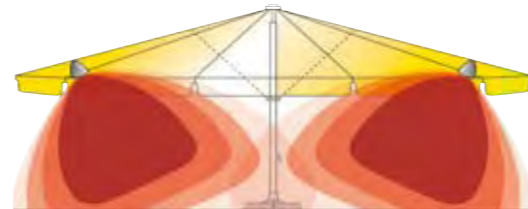
Mercedes-Benz SLR
McLaren VIP-Lounge,
Circuit Paul Ricard
HTTT, Le Castellet

Premium parasol equipment for patios and smoking areas.

Parasols provide shelter from the sun and rain – a MAY premium parasol kit does more. Thanks to efficient lighting and infrared heating systems, this upmarket umbrella concept for outdoor venues creates a warm and inviting ambience any time of the day and every season of the year. A feel-good environment created by maximum-comfort equipment helps to extend the outdoor season – your customers stay and enjoy. Moreover, you can offer them a comfortable smoking area outside. A place for smokers – a plus for your business!

Optimal heat range

The rays of the infrared heaters are emitted in thermal cones and thus form a protective belt of heat.



Well-devised safety precautions

The use of electricity outdoors requires particularly careful safety measures. All our equipment materials and components are authorized for outdoor use and are splash-proof.

Every umbrella equipped with heaters has been carefully tested and legalized. If requested, an automatic parasol closure cut-out switch can be installed.

Up-to-date energy efficiency

In view of running electricity costs, our parasol concept is the ideal solution: approx. 90% heat output, i.e. about 30% energy-saving compared with conventional systems. To avoid wasting electricity, each infrared heater can be activated individually with a case-mounted switch. A timer switch is an ideal way of saving energy in smoking areas. The customer simply presses the pushbutton and the heat is turned off after about 15 minutes.

Ultra-easy handling

Service staff will have no problems in handling our parasols. When installed with premium equipment, MAY parasols can easily be closed without prior removal of heaters or lights.

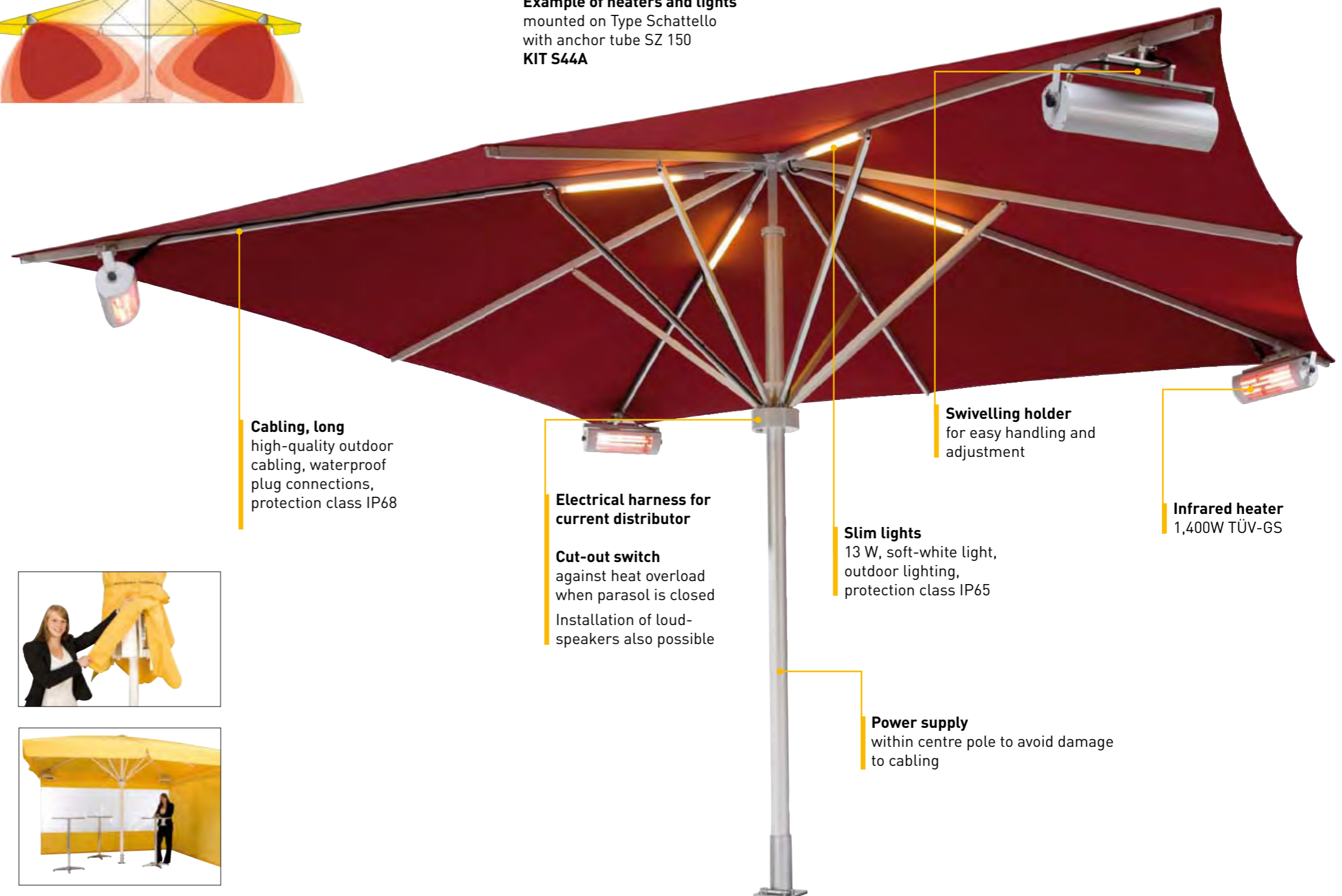


Wind shelter for smoking areas

With the help of side sheets, your giant umbrella will become all-weatherproof and offer shelter from side winds. The polyester fabric is robust and durable and at the same time offers ample space for commercial branding of your choice. Several options are available: with or without windows, or with a continuous light belt. cf. Page 80 onward.



Example of heaters and lights mounted on Type Schattello with anchor tube SZ 150 KIT S44A



Cabling, long
high-quality outdoor cabling, waterproof plug connections, protection class IP68

Electrical harness for current distributor

Cut-out switch
against heat overload when parasol is closed
Installation of loud-speakers also possible

Swivelling holder
for easy handling and adjustment

Slim lights
13 W, soft-white light, outdoor lighting, protection class IP65

Infrared heater
1,400W TÜV-GS

Power supply
within centre pole to avoid damage to cabling

Practical MAY premium kits with lights and heaters

The list opposite shows the usual components of our all-in kits.

If you wish to equip Types Schattello or Albatros with lighting and heaters, just choose the parasol size preferred and one of the kits listed.

Information on the individual kit components is to be found on page 74 onward.

General information: Schattello kits

The kits can only be used with anchor tubes SZ150, SZ131 or SZ127.

Cabling is for high-voltage current 380V.

Adapter 200567 is necessary for parasol sizes 3 x 3 m, 3 x 5 m, and 4 x 6 m at extra charge.

SCHATTELLO

Kit S42A For Type Schattello.

consisting of:	Qty.	Order No.
Power supply within centre pole	1	200369
Electrical harness	1	200565
Parasol closure cut-out switch	1	200563
Cabling, long – only possible along diagonal spokes	2	200579
Swivelling holder	2	202040
Infrared heater	2	200408
Slim light 13W	4	202092

For parasol sizes ø 4m, ø 5m and 3.5 x 3.5m please opt for Kits No. S42Z and S44Z.

Kit S44A For Type Schattello.

consisting of:	Qty.	Order No.
Power supply within centre pole	1	200369
Electrical harness	1	200565
Parasol closure cut-out switch	1	200563
Cabling, long – only possible along diagonal spokes	4	200579
Swivelling holder	4	202040
Infrared heater	4	200408
Slim light 13W	4	202092

For parasol sizes ø 4m, ø 5m and 3.5 x 3.5m please opt for Kits No. S42Z and S44Z.

Kit S42Z For Type Schattello.

necessary only for sizes ø 4m, ø 5m and 3.5x3.5m	Qty.	Order No.
consisting of:		
Power supply within centre pole	1	200369
Electrical harness	1	200565
Parasol closure cut-out switch	1	200563
Cabling, short (please state position intended)	2	200585
Swift-fold spar	2	200578
Infrared heater	2	200408
Slim light 13W	4	202092

Kit S44Z For Type Schattello.

necessary only for sizes ø 4m, ø 5m and 3.5x3.5m	Qty.	Order No.
consisting of:		
Power supply within centre pole	1	200369
Electrical harness	1	200565
Parasol closure cut-out switch	1	200563
Cabling, short (please state position intended)	4	200585
Swift-fold spar	4	200578
Infrared heater	4	200408
Slim light 13W	4	202092

Lighting kit For Type Schattello and Albatros.

consisting of:	Qty.	Order No.
Power supply within centre pole	1	200369
Slim light 13W	4	202092

General information: Albatros kits

The kits can only be used with anchor foot AZ121 or anchor plate with placement hinge AZ124. Cabling is for high-voltage current, 380V.

ALBATROS

Kit A64A For Type Albatros.

consisting of:	Qty.	Order No.
Power supply within centre pole	1	200369
Electrical harness	1	200566
Parasol closure cut-out switch	1	200563
Cabling, long – only possible along diagonal spokes	4	200579
Swivelling holder	4	200577
Infrared heater	4	200408
Slim light 13W	6	202093

Kit A66A For Type Albatros.

consisting of:	Qty.	Order No.
Power supply within centre pole	1	200369
Additional power supply	1	200562
Electrical harness	1	200566
Parasol closure cut-out switch	1	200563
Cabling, long – alternate spokes only	6	200579
Swivelling holder	6	200577
Infrared heater	6	200408
Slim light 13W	6	202093



Customized options and kit components

Compile your very own parasol equipment. As you can see from the list opposite, the kit components cover 6 main aspects.

For a made-to-measure solution just choose the equipment items that best suit your specific requirements.

The order numbers indicated here refer to Type Schattello.

1. Power supply
2. Current distribution
3. Mounting of the heater
4. Infrared heater
5. Safety and energy-saving options
6. Lighting
7. Stereo loud-speakers

1. Power supply

Anchor tube with placement hinge Order No. SZ150

Underground power supply is the safest and neatest option. The parasol just needs to be connected to the on-site underground cables. The connection itself is within the anchor tube and becomes invisible. The placement hinge makes installation easy. No damage to cables. cf. Page 62.

External mast-mount plug Order No. 200582

Special care needs to be taken for parasols on a mobile pedestal base. An RCD-plug ensures appropriate protection. Only for 400V connection.

Internal 2-circuit wiring Order No. 200587

Standard parasols with heaters require a 400V connection. If no high-voltage current is available, 2 x 230V cabling can be installed. In that case a maximum of 4 heaters can be fitted.

Power supply within centre pole Order No. 200369

Maximum safety is guaranteed by running the cabling through the support pole to the electrical harness. The risk of leakage or external hazards is thus minimized.

Power supply along one of the spokes Order No. 202052

Electric current can be run along a parasol spoke, provided there is a nearby socket in the wall of the house at a height of approx. 2m. At the end of a spoke of your choice there should be ca. 1m extra length of cable, which, after opening the parasol, is plugged into the socket. Plug not included in the kit.

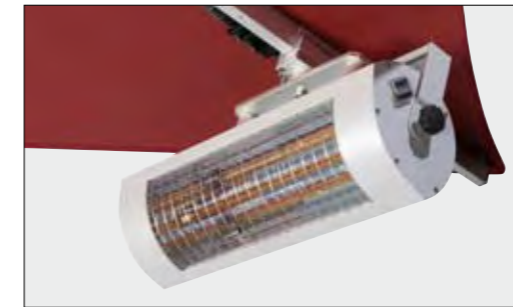
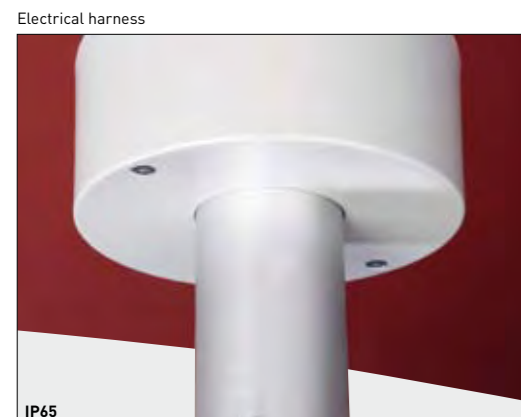
2. Current distribution

Electrical harness Order No. 200565

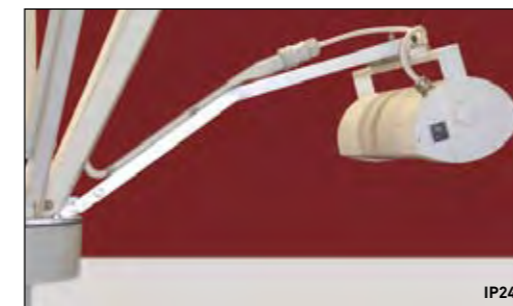
Full wiring in accordance with the circuit system is skilfully enclosed in this inconspicuous electrical harness – no cable tangle. Thus it complements the prevailing elegance of the parasol.

Cabling, long Order No. 200579

Current is run directly from the electrical harness to the heater via special connectors on VDE rubber-sheathed cables. This material is safer and more durable for outdoor use than PVC sheathing.



Infrared heater on swivelling holder



Infrared heater on swift-fold spar



3. Mounting of the heater

Swivelling holder Order No. 202040

The heaters are fixed onto the end of a spoke with a swivelling holder. Thanks to this innovative, patented mechanism the heaters can be turned 90° and remain mounted when the parasol is closed. No tiresome mounting and dismounting when opening and closing the parasol.

Swift-fold spar Order No. 200578

Parasols size Ø 4 m, 5 m and 3.5 x 3.5 m are equipped with swift-fold spars instead of swivelling holders. These spars can be folded down individually before parasol closure. Again, as with the swivelling holder, it is not necessary to dismount the heaters.

4. Infrared heater

Infrared radiant heater 1,400W Order No. 200408

Conventional heating systems warm up the air. The heat slowly evolves and is gradually transmitted to customers outside – at considerable expense. In bad weather conditions the warmth is blown away again before even reaching the customers. MAY infrared heaters warm only the surface at which they are directed, providing uniform, instant-on heat. No energy-wasting warming-up process, so that customers very soon feel comfortably warm. Cosy warmth at the push of a button – in spite of any chilly breezes. All heaters have case-mounted switches and are TÜV-GS tested.

5. Safety and energy-saving options

Automatic parasol closure cut-out switch Order No. 200563

If the parasol is to be closed regularly at night, an automatic cut-out switch is advisable. Should the service staff forget to switch off the heaters before closing the parasol, heat may accumulate and possibly cause considerable damage. An automatic safety switch will ward off such danger.

Timer switch Order No. 202050

You wish to minimize running costs in the smoking area? Your customers can activate each heater for 15 minutes by just pressing the pushbutton. A small button – an enormous (saving) effect.

6. Lighting

Slim lights Order No. cf. pricelist

The luminous body of the slim lights is completely embedded in the enclosure and is thus well-protected for outdoor use. 4, 6 or 8 slim lights, each running at 13W, can be fitted to the parasol. The soft-coloured 2700°K lights are screwed directly onto the main spokes.





7. Stereo loud-speakers

Order No. 202080

Let your customers enjoy background music softly playing from two top-performance 8- Watt loud-speakers that are neatly incorporated in the electrical harness. This ingenious design concept is not only elegant and inconspicuous, it is also weather-protected and theft-proof. No need to detach the speakers when closing the parasol. Loud-speaker impedance: 8 Ohms each. Audio cables are run through the centre of the support mast into the anchor tube.

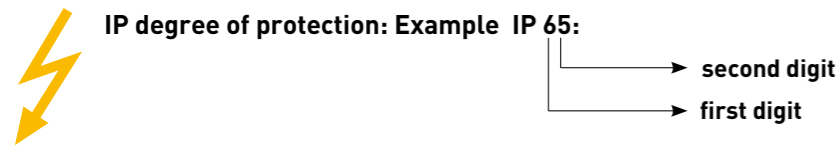
Guide to IP protection classification

Safety instructions:

Dimensioning and installation of electrical leads must be carried out by a certified electrician only. Always protect your parasol with RCD and automatic cut-out.

Protection level of electrical components:

The quality of an electrified parasol largely depends on its level of protection. Think, for example, of squirting champagne or any similar unpredictable festivity occurrence and you will agree that "prevention is better than cure". The standard DIN EN 60529 titles so-called international protection (IP) classes.



First digit (6)		
IP degree:	Protection against contact	Protection against foreign objects
0	no protection	no protection
1	large-area parts of the body (e.g. back of the hand)	large foreign objects ($\varnothing > 50 \text{ mm}$)
2	finger	medium-sized foreign objects ($\varnothing > 12 \text{ mm}$)
3	tools and wires ($\varnothing > 2.5 \text{ mm}$)	small foreign objects ($\varnothing > 2.5 \text{ mm}$)
4	tools and wires ($\varnothing > 1 \text{ mm}$)	grain-shaped foreign objects ($\varnothing > 1 \text{ mm}$)
5	complete protection against contact	dust deposits
6	complete protection against contact	compl. protection against penetration of dust

Second digit (5)	
IP degree:	Water
0	no protection
1	protection against vertically falling drops of water
2	protection against drops of water coming from an angle of up to 15°
3	protection against spraying water hitting the vertical surface from an angle of up to 60°
4	protection against water splashing from all directions
5	protection against jets of water
6	protection against strong jets of water
7	protection against temporary submersion in water
8	protection against long periods of submersion in water



5-star superior Hotel Suitess in Dresden, facing the Church of Our Lady